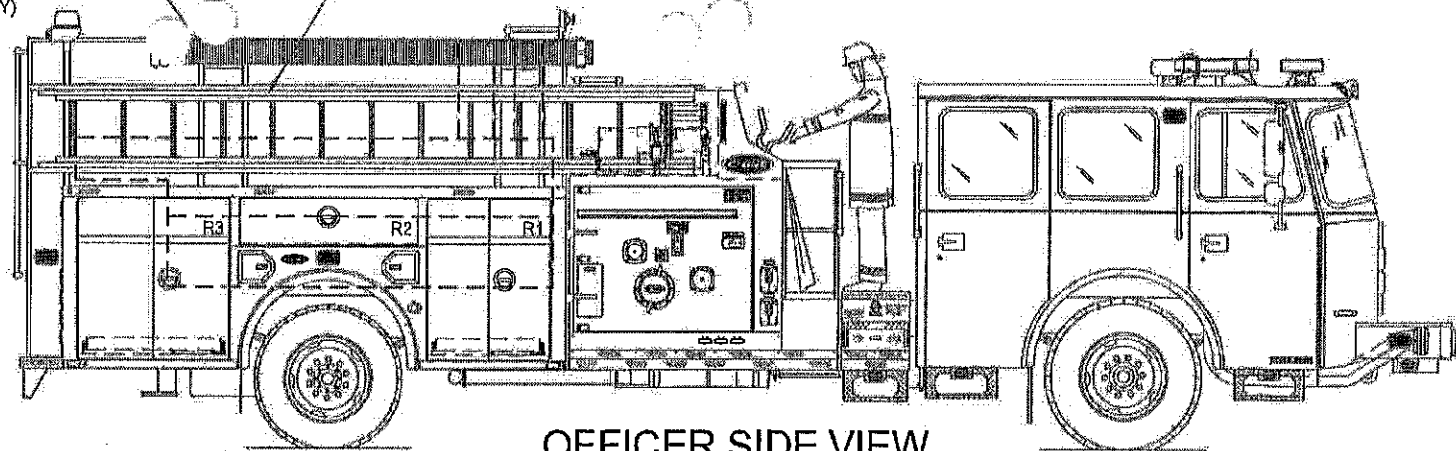
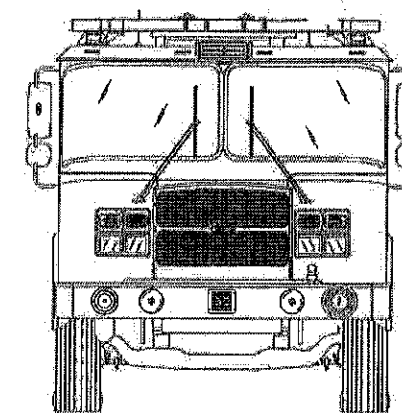


HARD SUCTION HOSE NOT IN QUOTE  
(SHOWN FOR CLARITY)

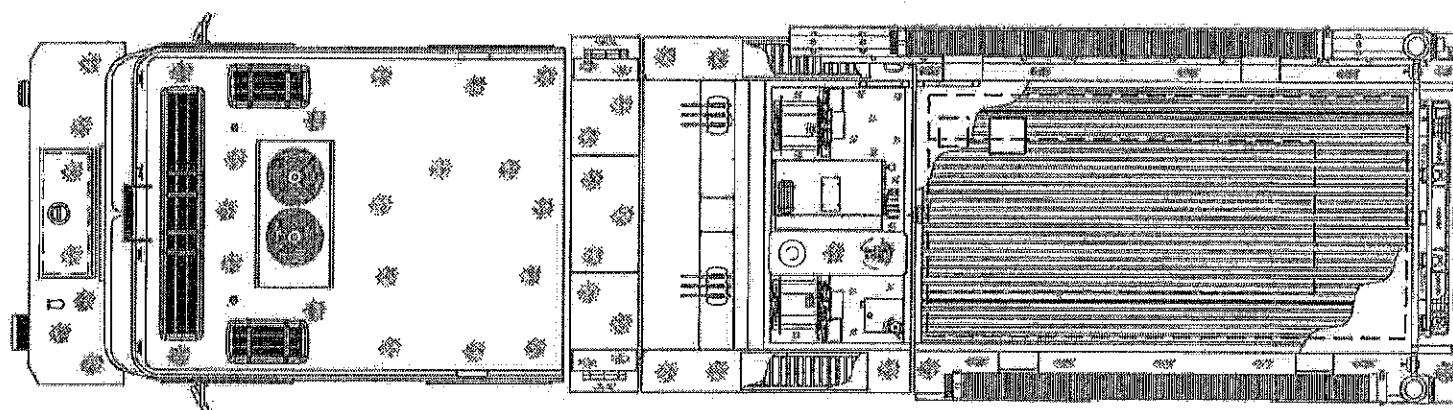
LADDERS NOT IN QUOTE (SHOWN FOR CLARITY)



OFFICER SIDE VIEW



FRONT VIEW

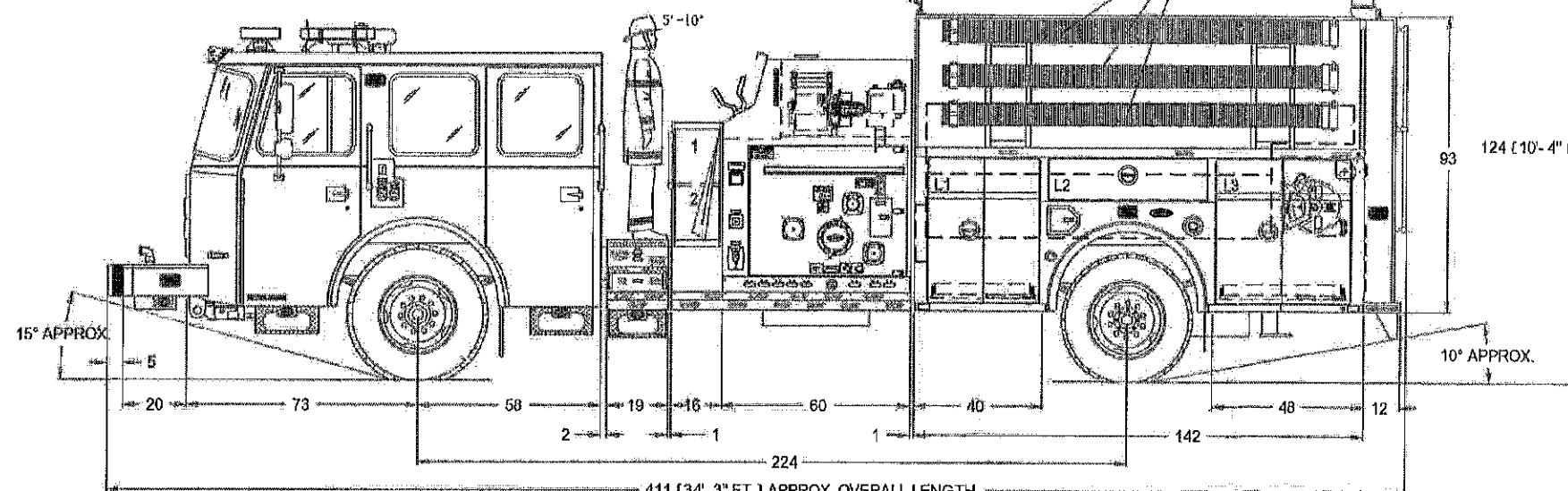


TOP VIEW

COMPARTMENT DIMENSIONS		
COMPT.	CLEAR DOOR OPENING (W x H):	COMPARTMENT INTERIOR (W x H x L/D/U):
L1	31-1/4" W x 41" H	36" W x 31-1/4" H x 27" D L / 36" W x 16" H x 14" D U
L2	46-1/4" W x 10" H	54" W x 16" H x 14" D
L3	39-1/4" W x 41" H	44" W x 31-1/4" H x 27" D L / 44" W x 16" H x 14" D U
R1	31-1/4" W x 41" H	36" W x 31-1/4" H x 27" D L / 36" W x 16" H x 14" D U
R2	46-1/4" W x 10" H	54" W x 16" H x 14" D
R3	39-1/4" W x 41" H	44" W x 31-1/4" H x 27" D L / 44" W x 16" H x 14" D U
B1	39" W x 33" H	46" W x 45" H x 26" D

SPEEDLAY #1 = 300' OF 2-1/2" HOSE    SPEEDLAY #2 = 300' OF 2-1/2" HOSE

HARD SUCTION HOSE NOT IN QUOTE  
(SHOWN FOR CLARITY)

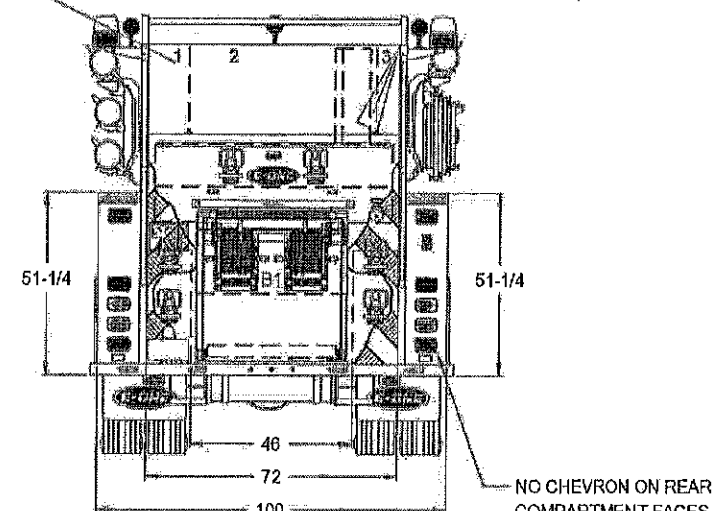


411 (34'-3" FT.) APPROX. OVERALL LENGTH  
DRIVERS SIDE VIEW

**ENGINE  
6-13**

10" WHITE REFLEXITE  
NUMBERS SEWN ON TO  
HOSE BED COVER ENDFLAP

HOSE BED LAYOUT:  
BED 1 = 400' OF 3" HOSE  
BED 2 = 2000' OF 5" HOSE  
BED 3 = 400' OF 3" HOSE



REAR VIEW

NO CHEVRON ON REAR  
COMPARTMENT FACES

THIS DRAWING IS FOR REFERENCE PURPOSES. ALL DIMENSIONS ARE SUBJECT TO MINOR VARIATIONS DUE TO MANUFACTURING PROCESSES.

This print is the property of Emergency One Inc. and is loaned to you subject to return on demand, unless otherwise agreed to in writing by Emergency One Inc. Its contents are confidential and must not be copied or submitted to third parties for use or examination.

**APPROVED FOR PRODUCTION**

DESIGNER: \_\_\_\_\_ DATE: \_\_\_\_\_

REV.	REVISION NOTE / CO#:	DATE:	DRAWN BY:	Tolerance: Lin: ±.50"    Ang: ±50°	Units: Inches [mm Imports Only]
A	INITIAL DRAWING	011012	R.S.	Draft:	Water Tank Capacity: 1000 WATER / 30 FOAM
B	REVISED PER CUSTOMER REQUEST	041014	R.S.	GREENWOOD	Misc:
C	REVISED TO MATCH QUOTE REV. 110	052815	R.S.	GENERATOR:	Misc:
D	REVISED TO MATCH QUOTE REV. 136	102015	R.S.	ONAN 10KW	Misc:
E	TURNED INTO JOB ORDER (REF Q49712)	122215	R.R.	Misc:	Misc:
F	EDITS PER ORDER SCRUB	030116	R.R.		
G	CHANGES PER PRE-BUILD	032816	R.R.		
H	EDITS PER ACTION ITEM 14748	040816	R.R.		
J	EDITS PER ACTION ITEM 14743: FRONT SUCTION NOTCH	040816	R.R.		



PUMPER 1030 GALLON TANK  
CYCLONE II MED. FLAT ROOF