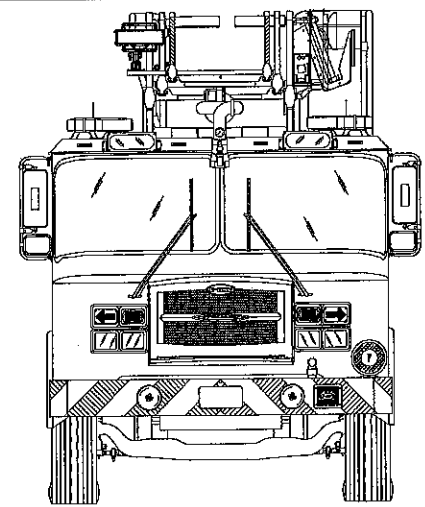
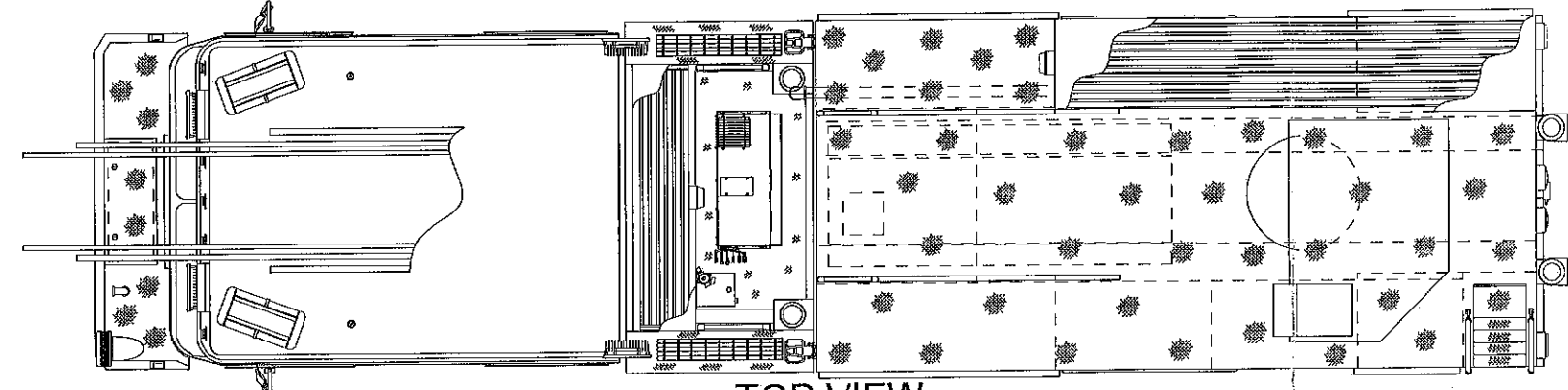


OFFICER SIDE VIEW



FRONT VIEW

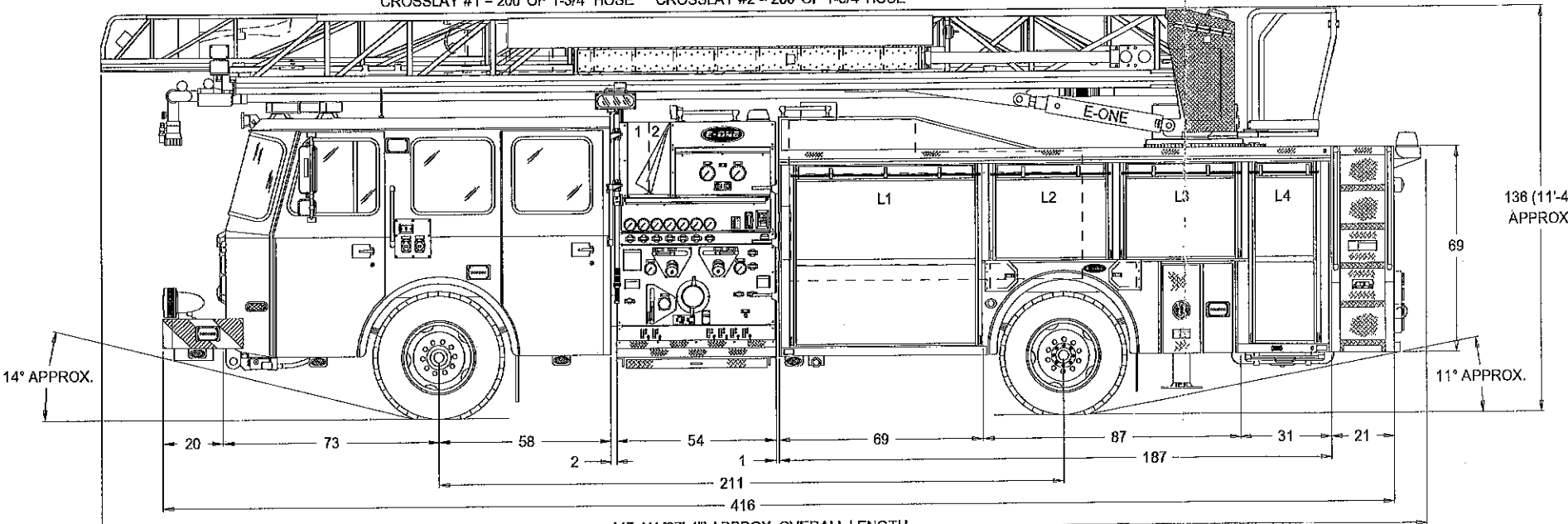


TOP VIEW

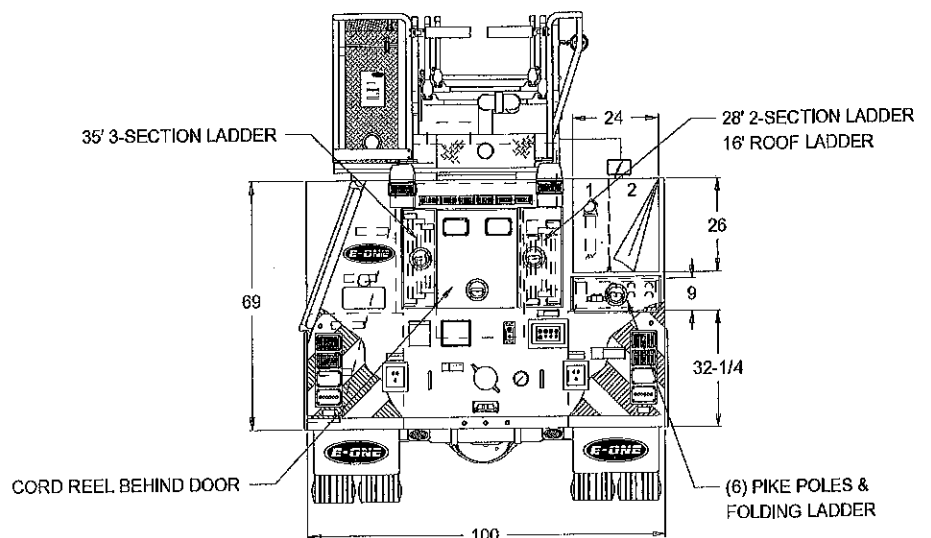
CROSSLAY #1 = 200' OF 1-3/4" HOSE CROSSLAY #2 = 200' OF 1-3/4" HOSE

COMPARTMENT DIMENSIONS		
COMP.	CLEAR DOOR OPENING (W x H):	COMPARTMENT INTERIOR (W x H x LD/UD):
L1	60-1/2"W x 54-1/2"H	65"W x 28-1/4"H x 27"D L / 65"W x 36-3/4"H x 25"D U
L2	37"W x 26-1/4"H	43-1/2"W x 36-3/4"H x 25"D
L3	37"W x 26-1/4"H	43-1/2"W x 36-3/4"H x 25"D
L4	20"W x 54-1/2"H	27"W x 28-1/4"H x 27"D L / 27"W x 36-3/4"H x 25"D U
R1	60-1/2"W x 54-1/2"H	65"W x 28-1/4"H x 27"D L / 65"W x 36-3/4"H x 25"D U
R2	43-3/4"W x 25-3/4"H	48"W x 28-1/4"H x 27"D

HOSE BED LAYOUT:  
 BED 1 = 300' OF 2-1/2" HOSE  
 PRECONNECT  
 BED 2 = 800' OF 4" HOSE



447-1/4 [37'-4"] APPROX. OVERALL LENGTH  
 DRIVERS SIDE VIEW



REAR VIEW

THIS DRAWING IS FOR REFERENCE PURPOSES. ALL DIMENSIONS ARE SUBJECT TO MINOR VARIATIONS DUE TO MANUFACTURING PROCESSES.

This print is the property of Emergency One Inc. and is loaned to you subject to return on demand, unless otherwise agreed to in writing by Emergency One Inc. Its contents are confidential and must not be copied or submitted to third parties for use or examination.

APPROVED FOR PRODUCTION

DESIGNER: \_\_\_\_\_ DATE: \_\_\_\_\_

REV.	REVISION NOTE / CO#:	DATE:	DRAWN BY:	Tolerance: Lin: ±.50" Ang: ±.50°	Units: Inches [mm Imports Only]
-	INITIAL DRAWING	041012	R.S.	Dealer: GREENWOOD	Water Tank Capacity: 500 GALLON TANK
A	TURNED INTO JOB ORDER (REF. QUOTE NO. 51491)	052512	R.S.	GENERATOR: ONAN 15KW	Misc:
B	REVISED PER APPROVED FOR PRODUCTION	061212	R.S.	Misc:	Misc:
C	REVISED FOR ENGINEERING HAND-OFF	062112	R.S.		
D	RELEASED	062512	R.S.		



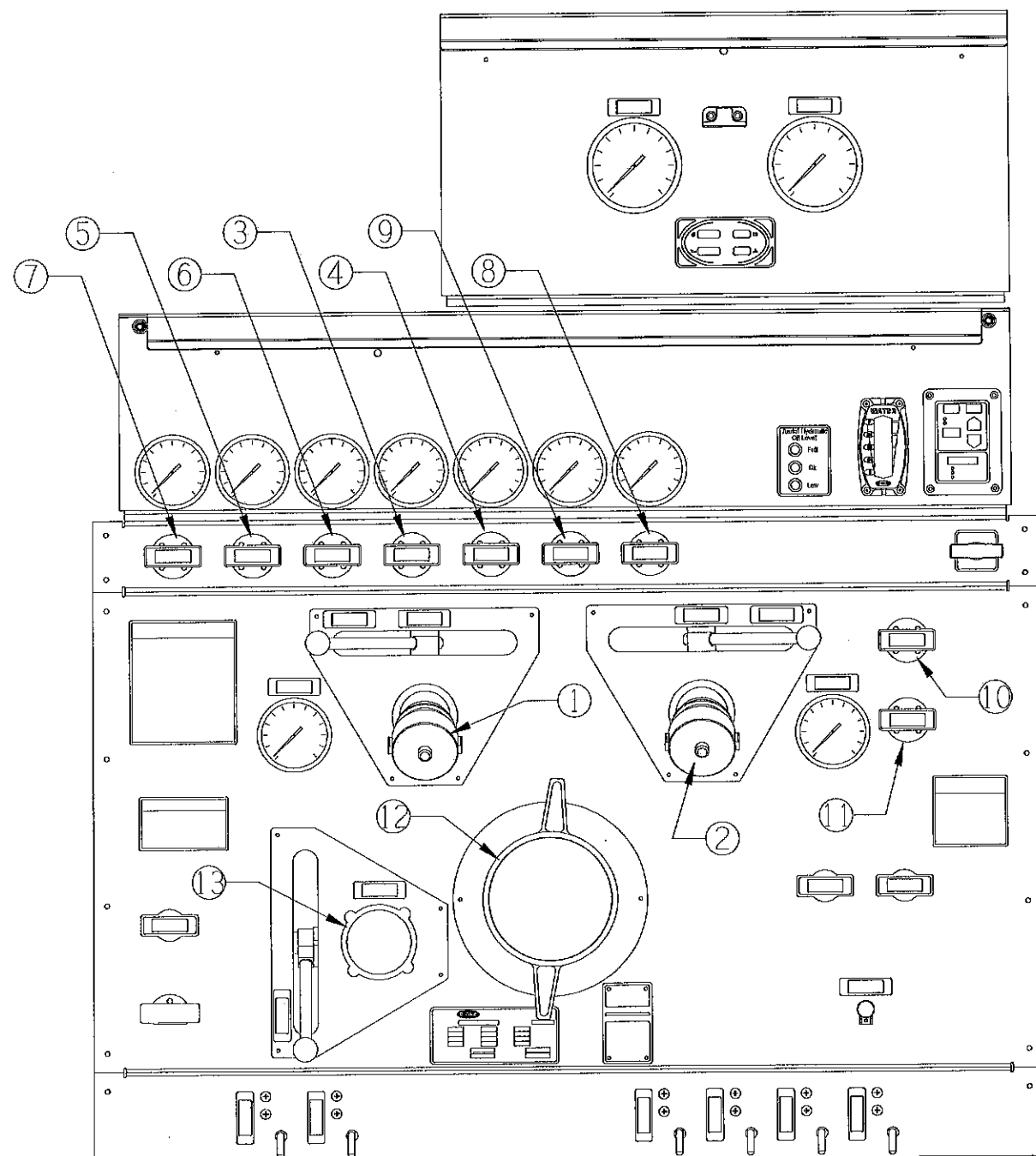
HP 75' STANDARD BODY R1 FULL HEIGHT  
 TYPHOON MED. FLAT ROOF



PUMP  
HALE Q-MAX 1750 GPM

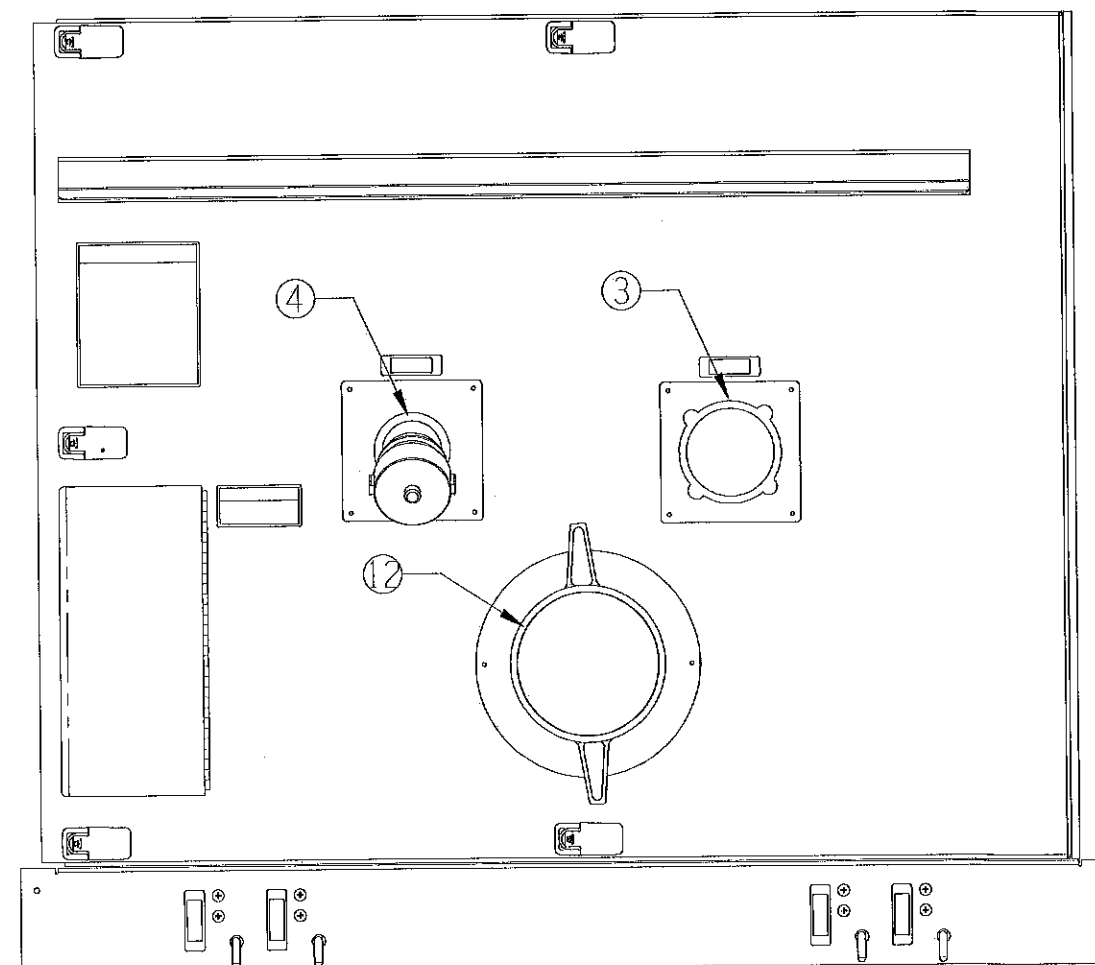
APPROVED FOR PRODUCTION

DESIGNER: \_\_\_\_\_ DATE: \_\_\_\_\_



LEFT PANEL

- 1 DISCHARGE 1
- 2 DISCHARGE 2
- 3 DISCHARGE 3
- 4 DISCHARGE 4
- 5 PRECONNECT 1
- 6 PRECONNECT 2
- 7 FRONT JUMPLINE
- 8 AERIAL DISCHARGE
- 9 LEFT FRONT HOSE
- 10 TANK FILL
- 11 TANK TO PUMP
- 12 SUCTION
- 13 INTAKE



RIGHT PANEL

MINOR VARIATIONS ON ITEM PLACEMENT MAY OCCUR DUE TO MANUFACTURING TOLERANCES AND PHYSICAL CONSTRAINTS.