



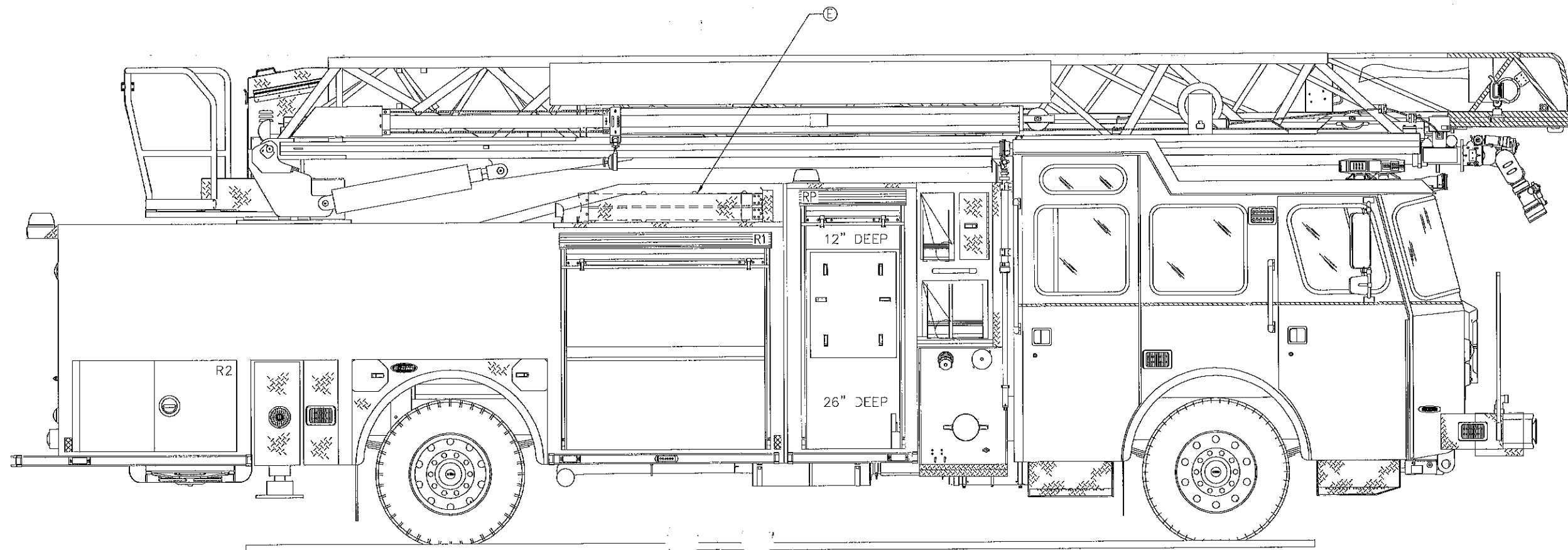
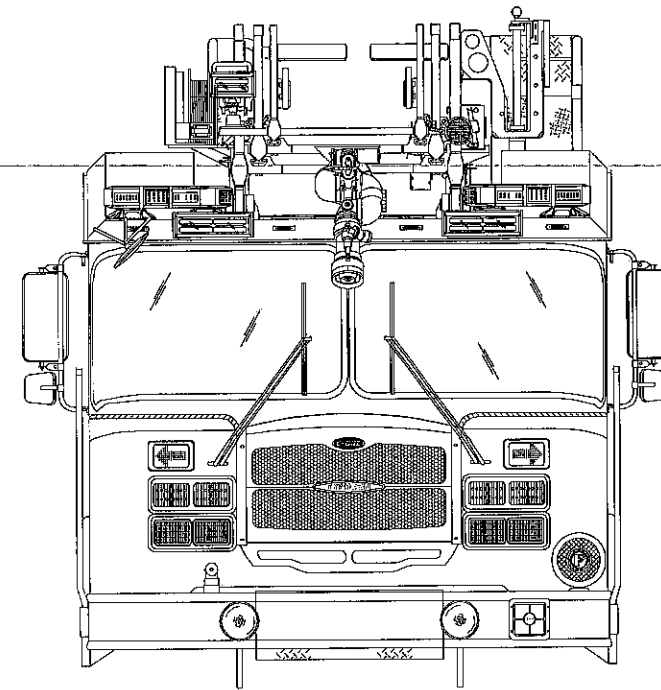
eMAX AERIAL BODY
 TYPHOON X CHASSIS
 HP78 AERIAL LADDER

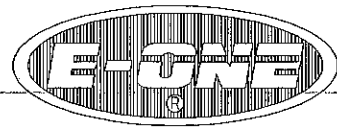
THIS DRAWING IS FOR REFERENCE PURPOSES. ALL DIMENSIONS ARE
 SUBJECT TO MINOR VARIATIONS DUE TO MANUFACTURING PROCESSES.

APPROVED FOR PRODUCTION

DESIGNER: _____ DATE: _____

1500 GPM eMAX PUMP 500 GALLON WATER TANK			HOSE LOAD: STD.		
COMPT.	OPENING		INTERIOR DIMENSION		
L1	58W	52H	60W 35H 24D 60W 26H 26D	UPPER LOWER	
L2	40W	31H	40W 35H	24D	
L3	40W	31H	40W 21H 21D 40W 14H 24D	UPPER LOWER	
L4	24W	52H	26W 35H 24D 26W 26H 26D	UPPER LOWER	
R1	58W	52H	60W 35H 23D 60W 26H 26D	UPPER LOWER	
R2	47W	26H	45W 26H	26D	
B1	21W	28H	TURNABLE ACCESS ONLY		
T1	10W	28H	VERTICAL LADDER STORAGE		
T2	11W	28H	VERTICAL LADDER STORAGE		
T3	23W	9H	PIKE POLE/ATTIC LADDER TUNNEL		
GROUND LADDERS					
ITEM	LADDER LENGTH	MODEL NUMBER	QTY		
A	35' 3-SECT	PEL3-35	1		
B	28' 2-SECT	PEL-28	1		
C	16' ROOF	PRL-16	2		
D	10' FOLDING	FL-10	1		
E	LITTLE GIANT	MODEL 17	1		



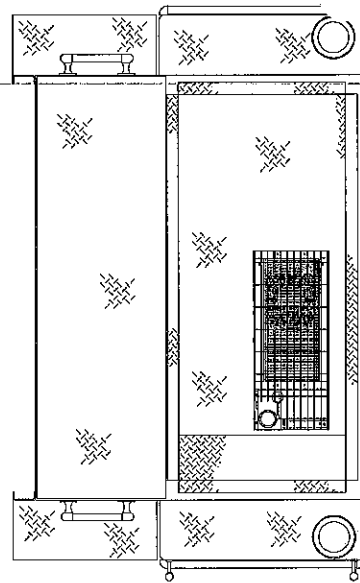


eMAX AERIAL BODY
TYPHOON X CHASSIS
HP78 AERIAL LADDER

THIS DRAWING IS FOR REFERENCE PURPOSES. ALL DIMENSIONS ARE
SUBJECT TO MINOR VARIATIONS DUE TO MANUFACTURING PROCESSES.

APPROVED FOR PRODUCTION

DESIGNER: _____ DATE: _____



TOP VIEW OF PUMP MODULE

