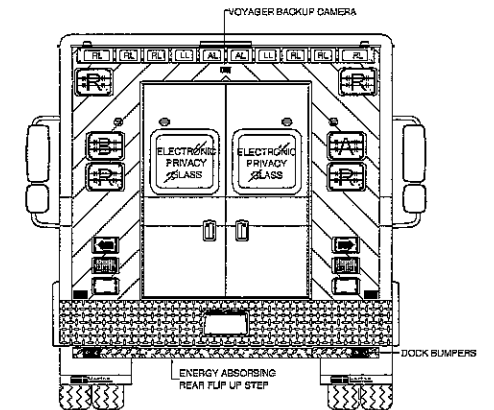
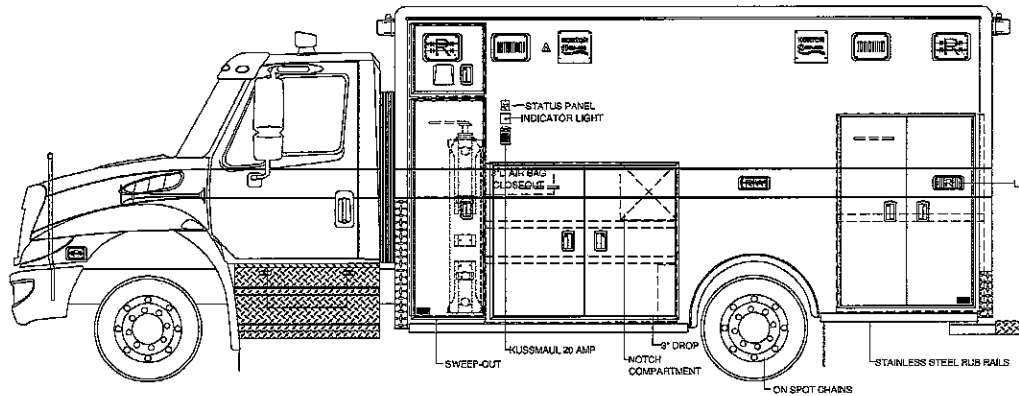
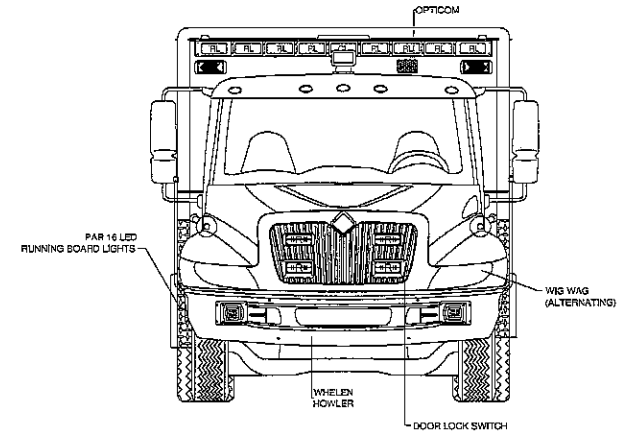
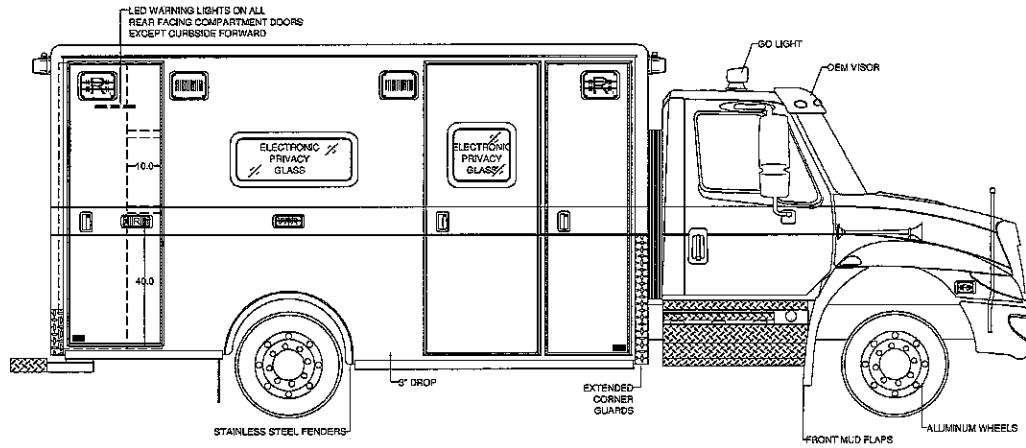


REVISIONS		
REV	DESCRIPTION	DATE
	623 EXTERIOR	5-29-14
DRAWN BY: CMH		

COMPT	INSIDE WIDTH	INSIDE HEIGHT	INSIDE DEPTH	CLEAR OPENING WIDTH	CLEAR OPENING HEIGHT
CS REAR	29.61	83.82	21.58	25.00	80.66
CS FWD	28.00	64.00	26.25	22.13	53.88

## 623 WT EXTERIOR NAVISTAR CHASSIS



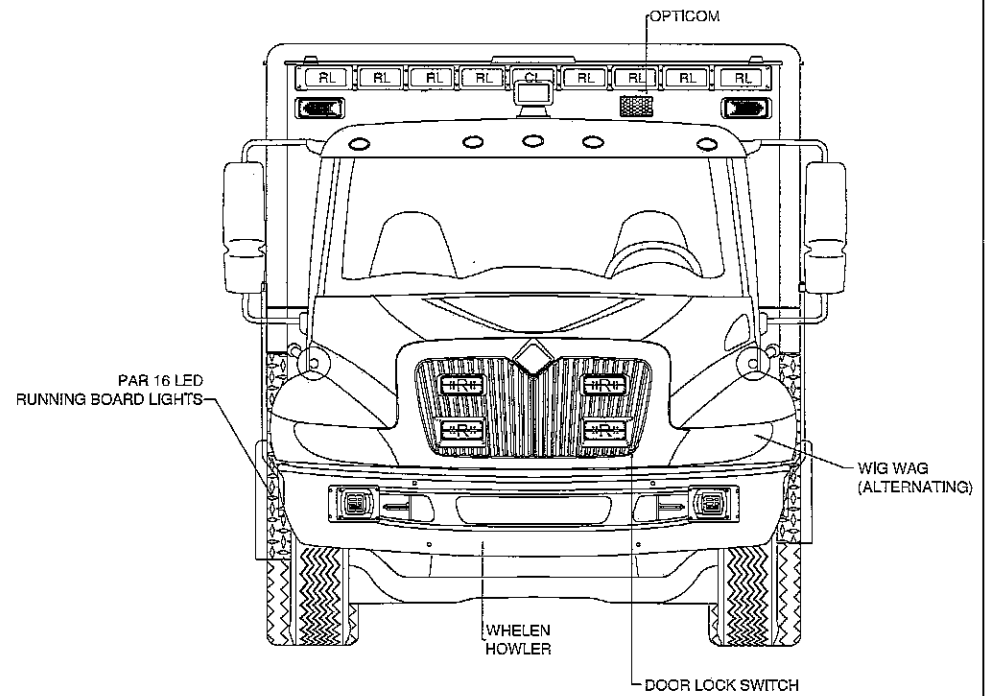
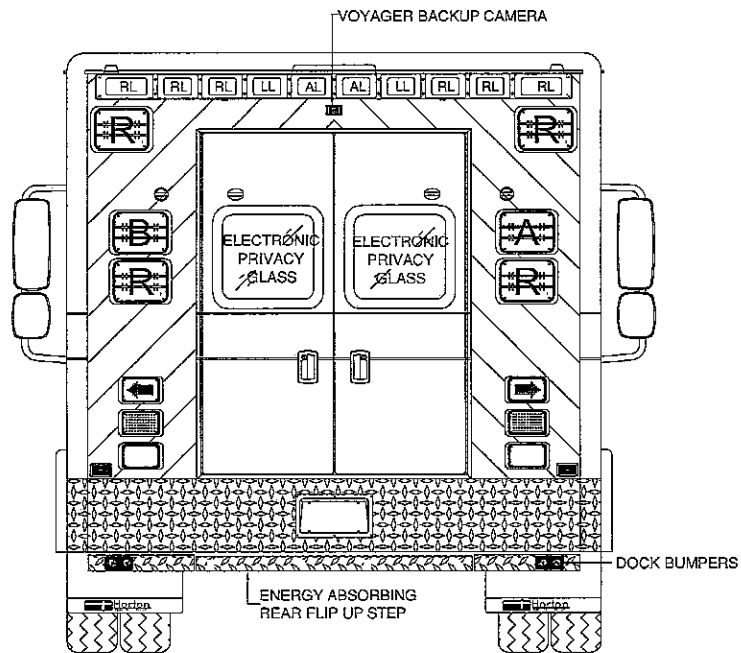
COMP.	INSIDE WIDTH	INSIDE HEIGHT	INSIDE DEPTH	CLEAR OPENING WIDTH	CLEAR OPENING HEIGHT
SS FWD	21.43	62.69	21.58	19.72	61.66
SS INT	56.42	46.13	21.58	51.90	42.87
SS LOW	45.92	8.25	21.58	40.45	6.36
SS REAR	42.44	67.00	21.25	37.03	53.87

NOTE: DRAWINGS ARE FOR GRAPHICAL REPRESENTATION ONLY  
DIMENSIONS ARE APPROXIMATE & MAY VARY DURING CONSTRUCTION

# SPECIFICATION DRAWING

REVISIONS		
REV	DESCRIPTION	DATE
	623 EXTERIOR	5-28-14
DRAWN BY: CMH		

## 623 WT EXTERIOR NAVISTAR CHASSIS

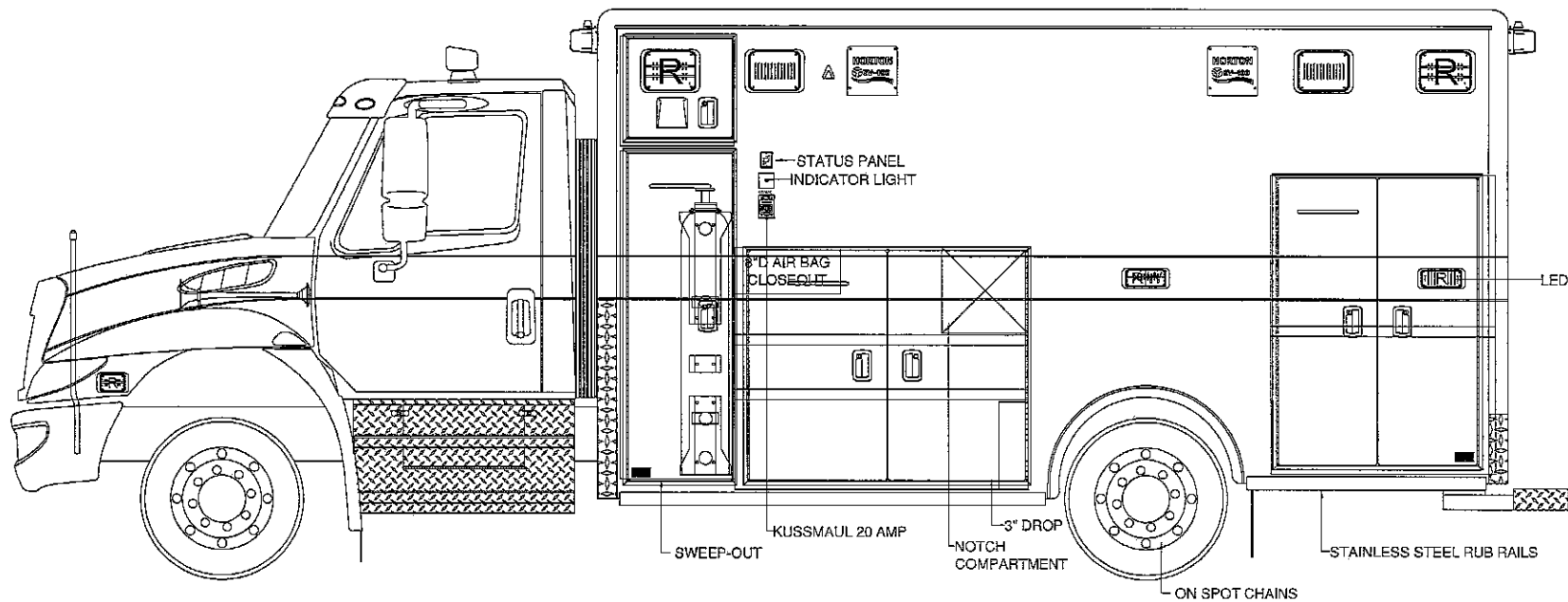


NOTE: DRAWINGS ARE FOR GRAPHICAL REPRESENTATION ONLY. DIMENSIONS ARE APPROXIMATE & MAY VARY DURING CONSTRUCTION.

# SPECIFICATION DRAWING

REVISIONS		
REV	DESCRIPTION	DATE
	623 EXTERIOR	5-29-14
DRAWN BY: CMH		

623 WT EXTERIOR  
NAVISTAR CHASSIS



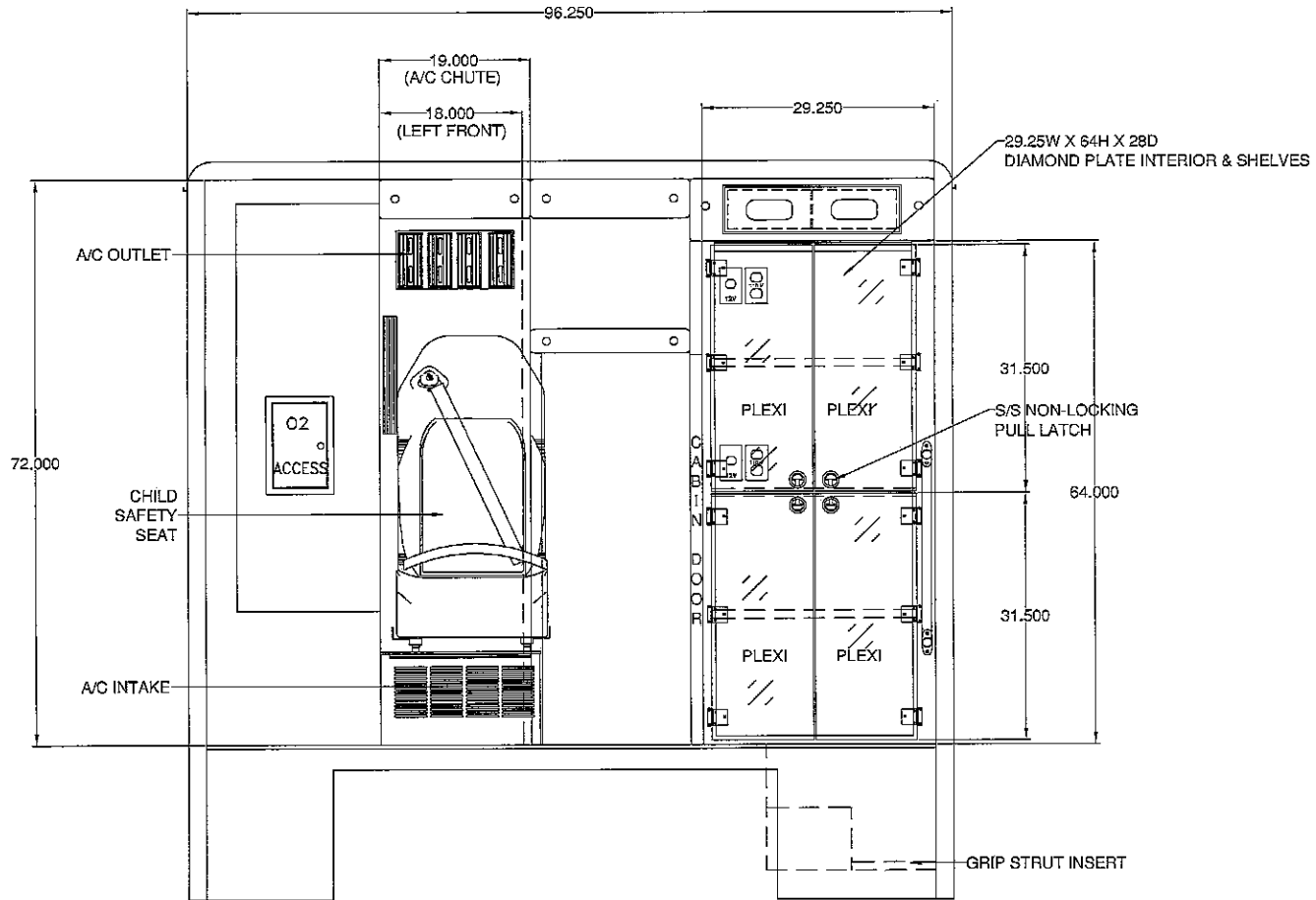
COMP.	INSIDE WIDTH	INSIDE HEIGHT	INSIDE DEPTH	CLEAR OPENING WIDTH	CLEAR OPENING HEIGHT
SS FWD	21.43	62.63	21.36	18.73	61.66
SS INT	55.42	46.13	21.36	51.80	42.87
SS LOW	45.92	8.25	21.36	40.45	6.36
SS REAR	42.44	57.00	21.36	37.09	53.87

NOTE: DRAWINGS ARE FOR GRAPHICAL REPRESENTATION ONLY  
DIMENSIONS ARE APPROXIMATE & MAY VARY DURING CONSTRUCTION

# SPECIFICATION DRAWING

REVISIONS		
REV	DESCRIPTION	DATE
	623 WT FRONT WALL	5-29-14
DRAWN BY:		CMH

623 WT FRONT WALL  
NAVISTAR CHASSIS

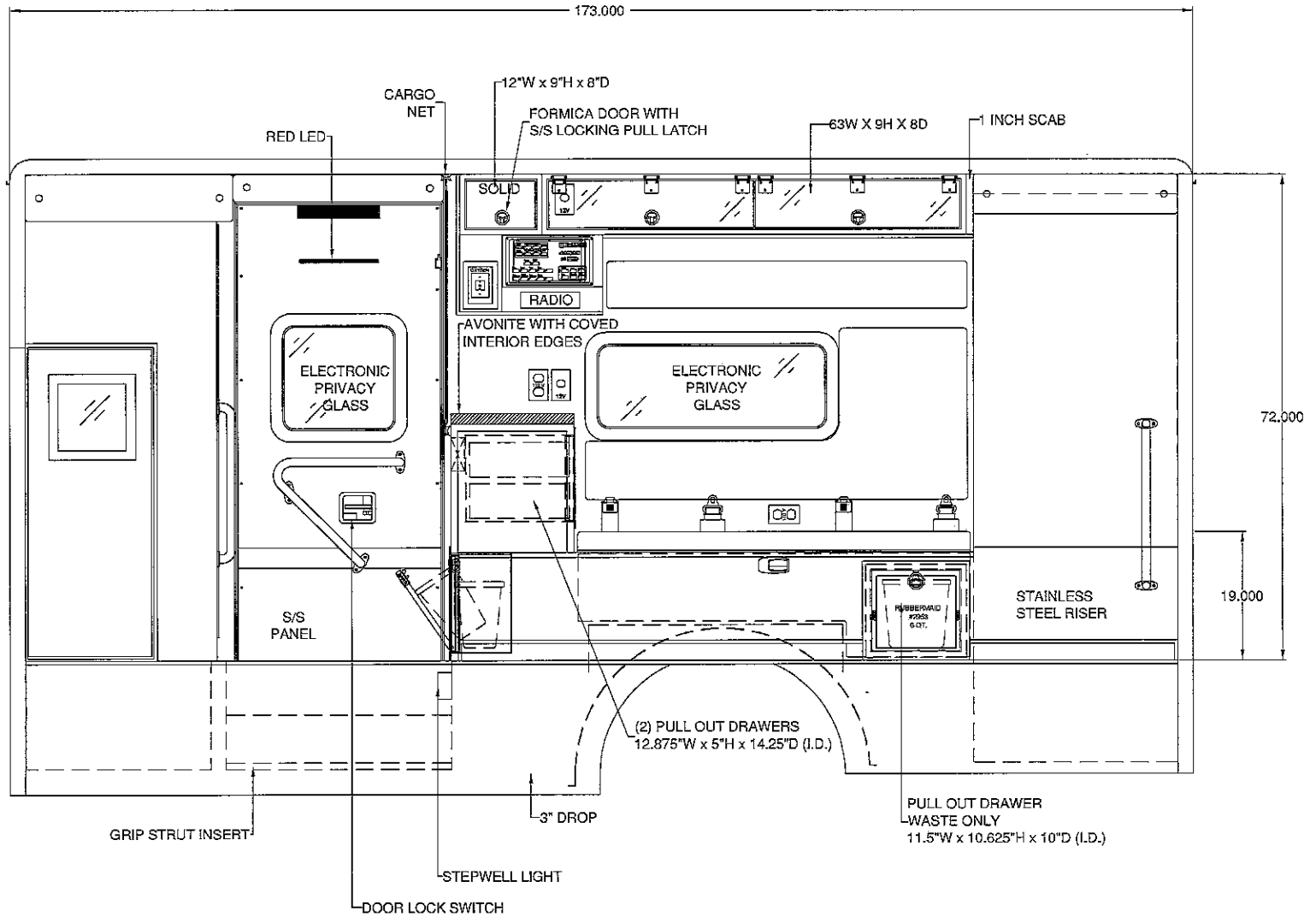


NOTE: DRAWINGS ARE FOR GRAPHICAL REPRESENTATION ONLY  
DIMENSIONS ARE APPROXIMATE & MAY VARY DURING CONSTRUCTION

# SPECIFICATION DRAWING

REVISIONS		
REV	DESCRIPTION	DATE
	623 WT SIDE WALL	5-29-14
DRAWN BY: CMH		

## 623 WT SIDE WALL NAVISTAR CHASSIS

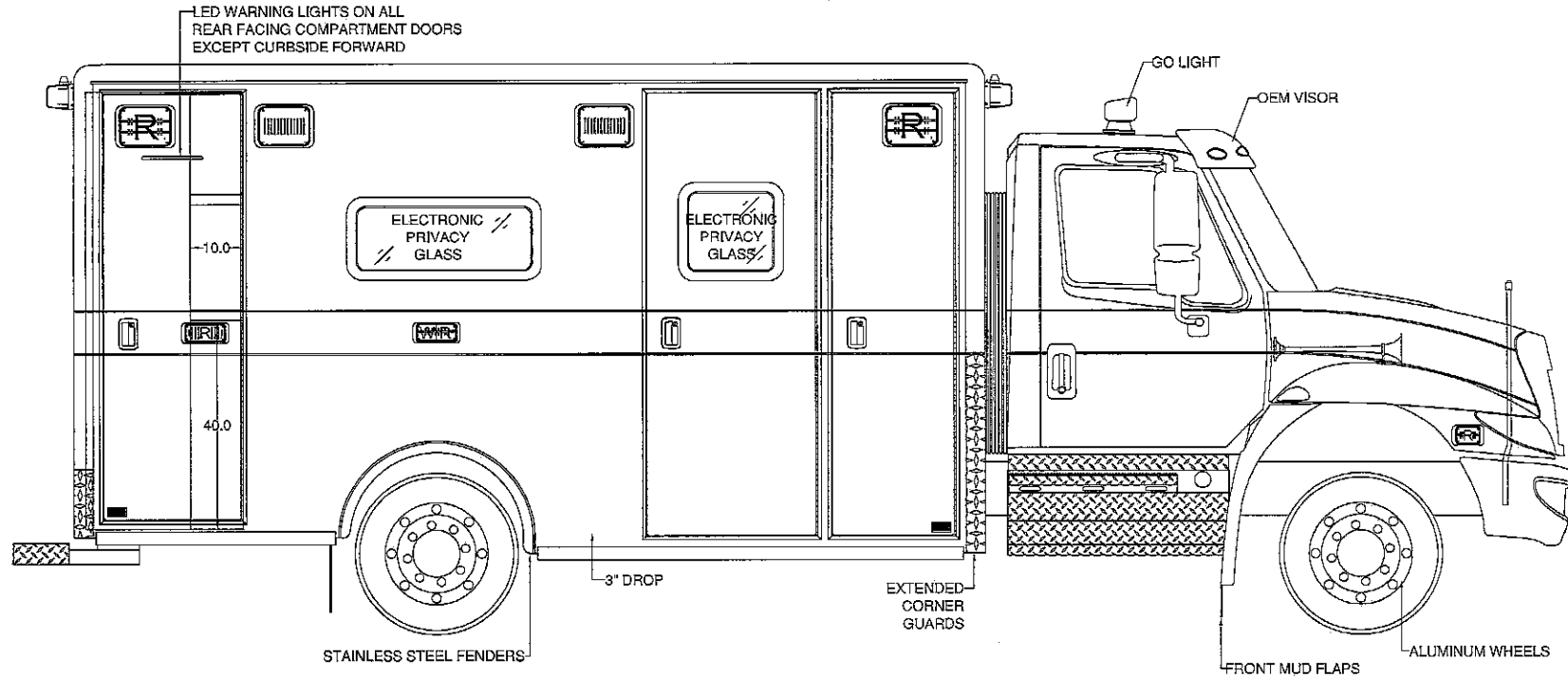


NOTE: DRAWINGS ARE FOR GRAPHICAL REPRESENTATION ONLY  
DIMENSIONS ARE APPROXIMATE & MAY VARY DURING CONSTRUCTION

# SPECIFICATION DRAWING

REVISIONS		
REV	DESCRIPTION	DATE
	623 EXTERIOR	5-29-14
DRAWN BY: CMH		

## 623 WT EXTERIOR NAVISTAR CHASSIS



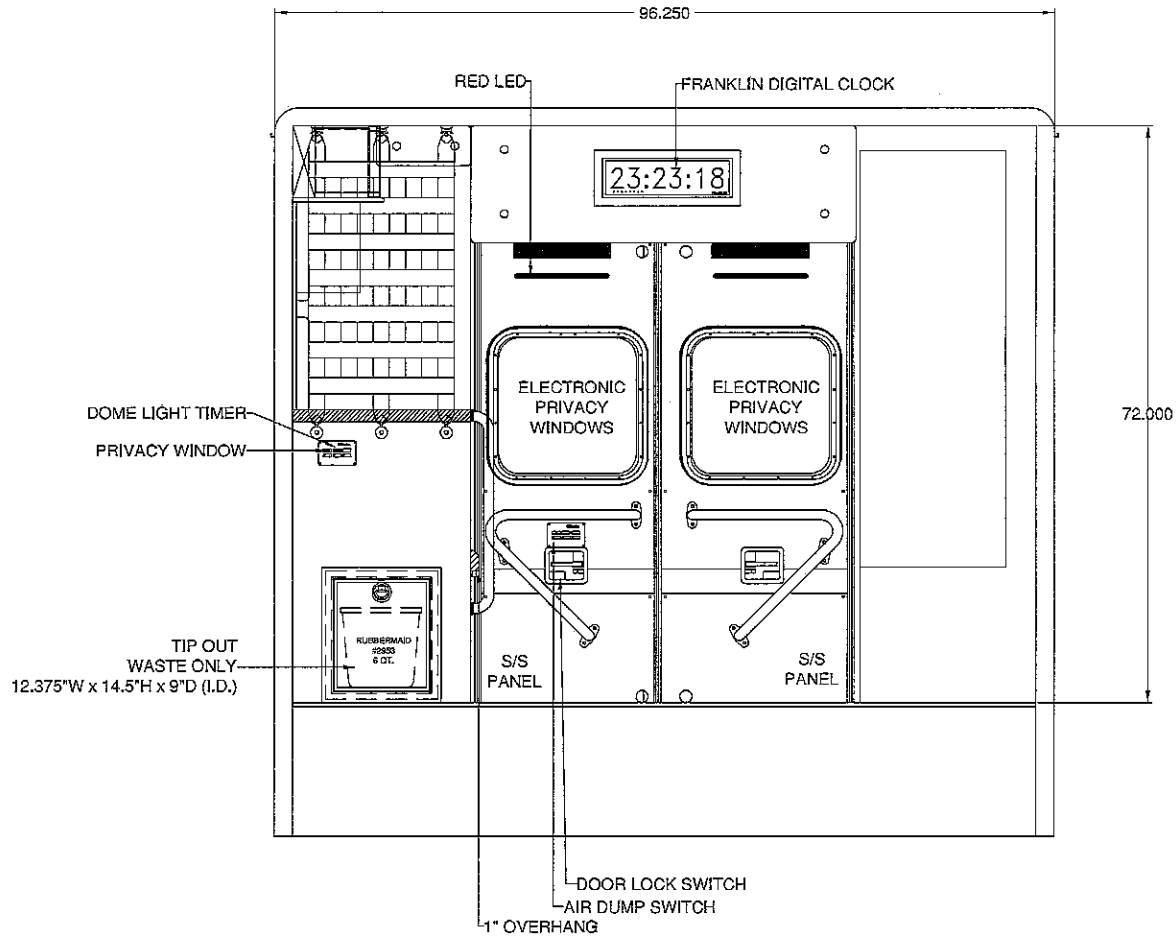
COMPT	INSIDE WIDTH	INSIDE HEIGHT	INSIDE DEPTH	CLEAR OPENING WIDTH	CLEAR OPENING HEIGHT
CS REAR	29.61	83.62	21.36	25.09	80.66
CS FWD	26.00	64.00	29.25	22.13	83.66

*NOTE: DRAWINGS ARE FOR GRAPHICAL REPRESENTATION ONLY. DIMENSIONS ARE APPROXIMATE & MAY VARY DURING CONSTRUCTION.*

# SPECIFICATION DRAWING

REVISIONS		
REV	DESCRIPTION	DATE
	623 REAR WALL	5-28-14
DRAWN BY:		CMH

## 623 WT REAR WALL NAVISTAR CHASSIS

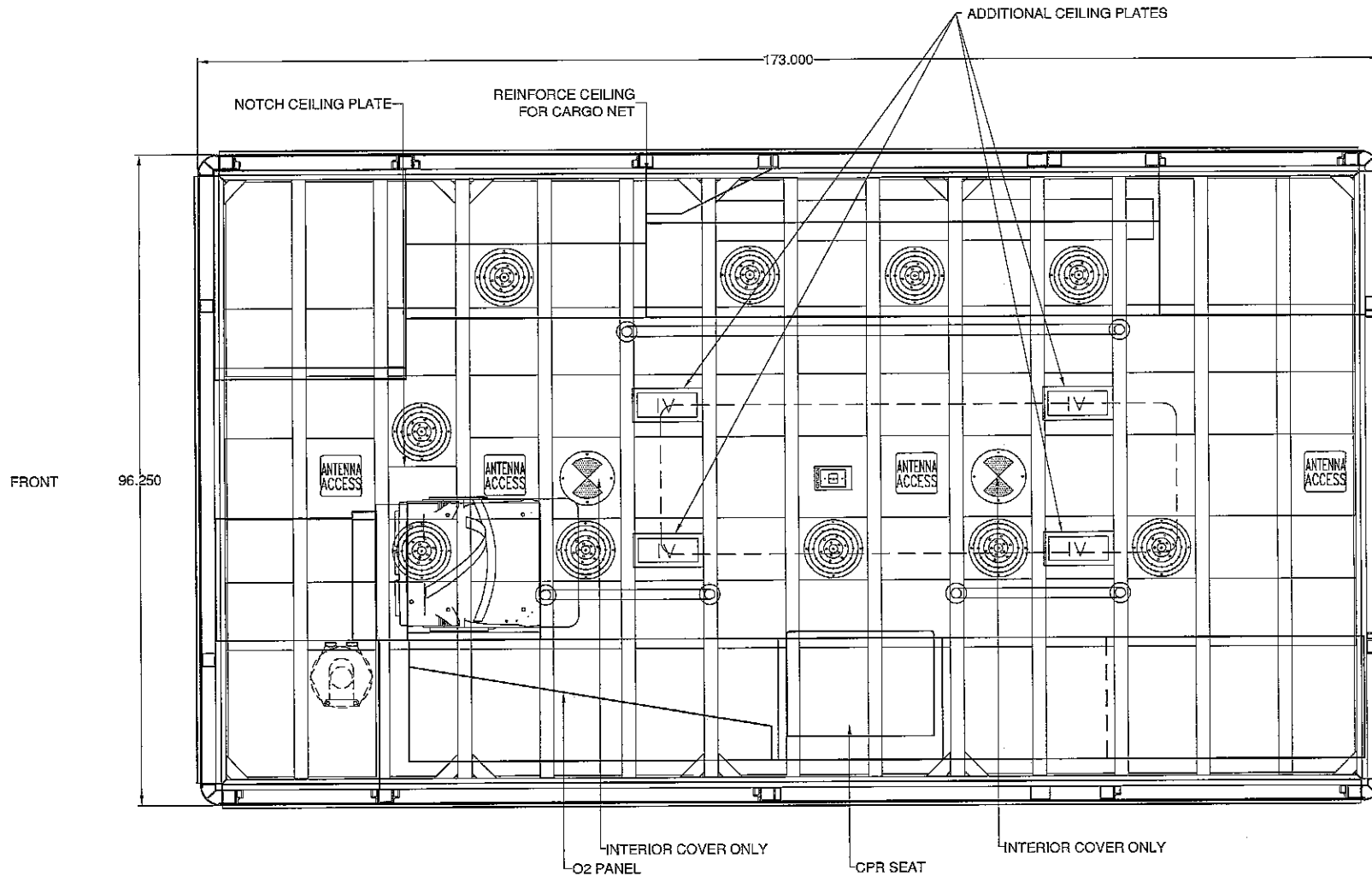


NOTE: DRAWINGS ARE FOR GRAPHICAL REPRESENTATION ONLY  
DIMENSIONS ARE APPROXIMATE & MAY VARY DURING CONSTRUCTION

# SPECIFICATION DRAWING

REVISIONS		
REV	DESCRIPTION	DATE
	623 WT OVERHEAD B	5-28-14
DRAWN BY: DMH		

## 623 WT OVERHEAD "B" WITH CPR SEAT NAVISTAR CHASSIS



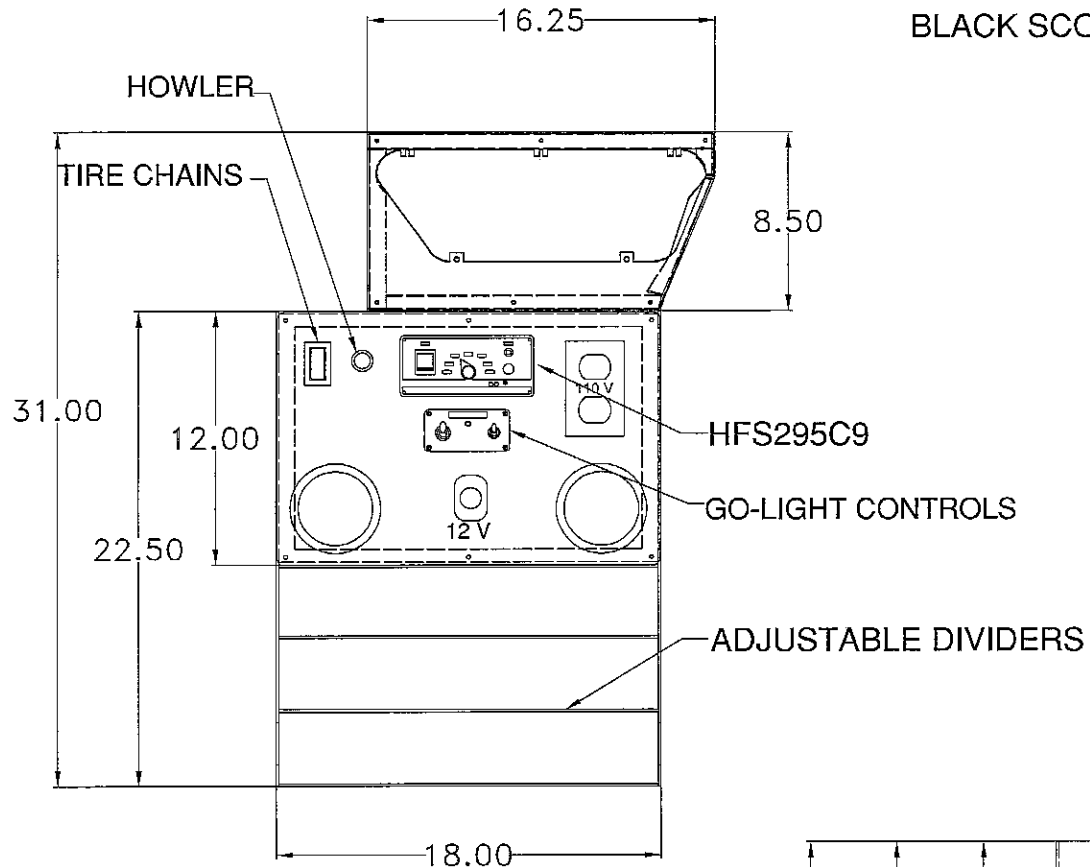
NOTE: DRAWINGS ARE FOR GRAPHICAL REPRESENTATION ONLY  
DIMENSIONS ARE APPROXIMATE & MAY VARY DURING CONSTRUCTION

# SPECIFICATION DRAWING

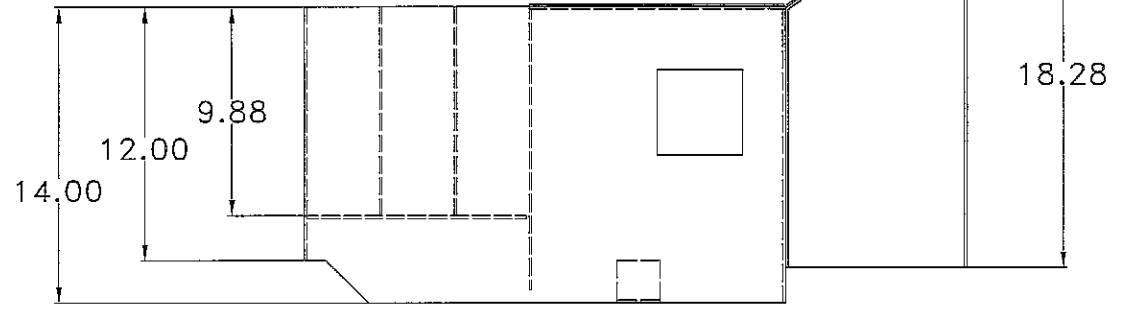
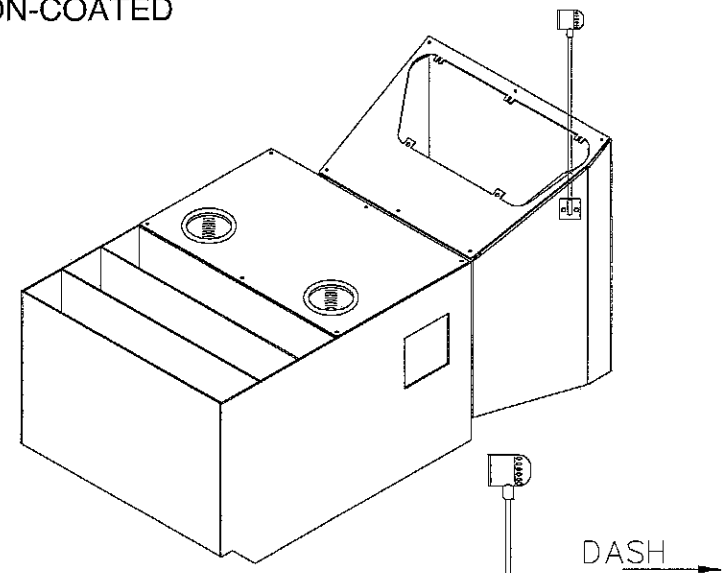


REVISIONS		
REV	DESCRIPTION	DATE
	CONSOLE DRAWING	5-28-14
DRAWN BY: CMH		

## NAVISTAR 4300 CONSOLE & EXTENSION BLACK SCORPION-COATED



TOP VIEW



SIDE VIEW

# SPECIFICATION DRAWING