



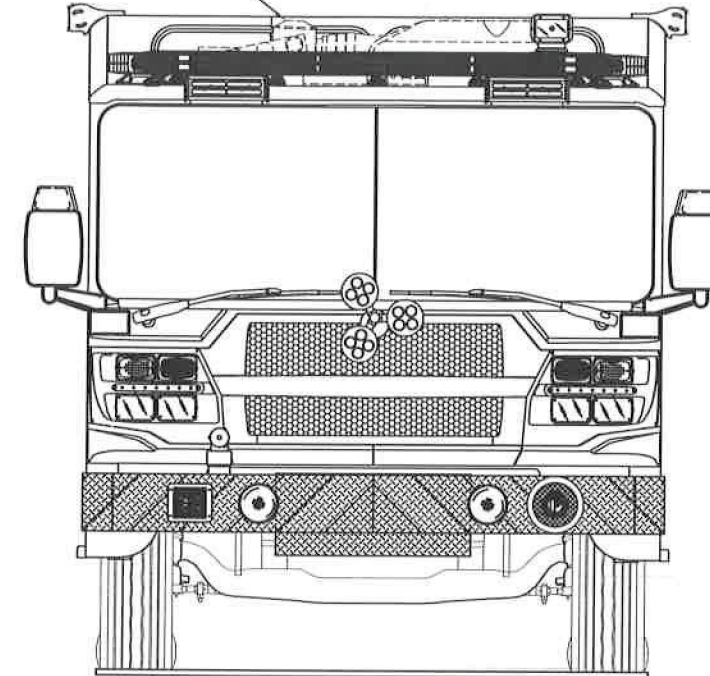
CUSTOM 42 PUMPER
E-ONE QUEST LONG CAB 4X2 CHASSIS

THIS DRAWING IS FOR REFERENCE PURPOSES. ALL DIMENSIONS ARE
SUBJECT TO MINOR VARIATIONS DUE TO MANUFACTURING PROCESSES.

APPROVED FOR PRODUCTION

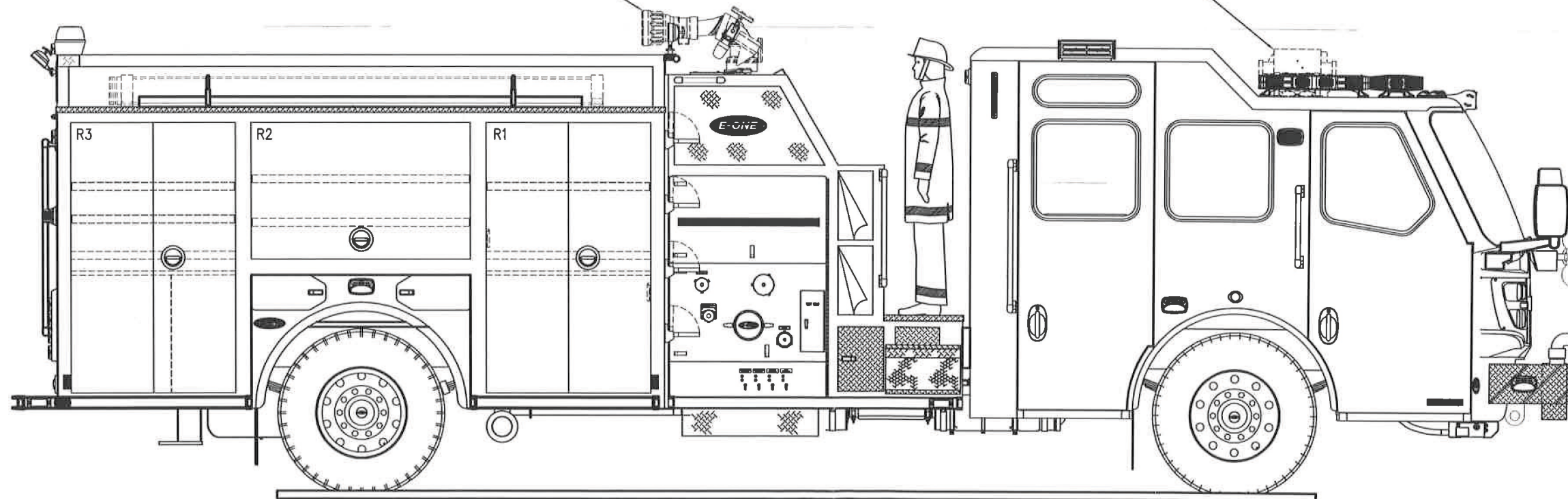
DESIGNER: _____ DATE: _____

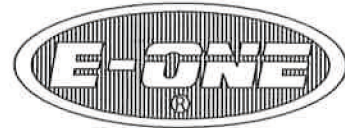
NOTE: DEALER SUPPLIED AND INSTALLED
WILBURT NS2.3-225WHL PROFILER LIGHT TOWER



NOTE: DEALER / CUSTOMER SUPPLIED
AND INSTALLED TFT MONSOON MONITOR

NOTE: DEALER SUPPLIED AND INSTALLED
WILBURT NS2.3-225WHL PROFILER LIGHT TOWER





**CUSTOM 42 PUMPER
E-ONE QUEST LONG CAB 4X2 CHASSIS**

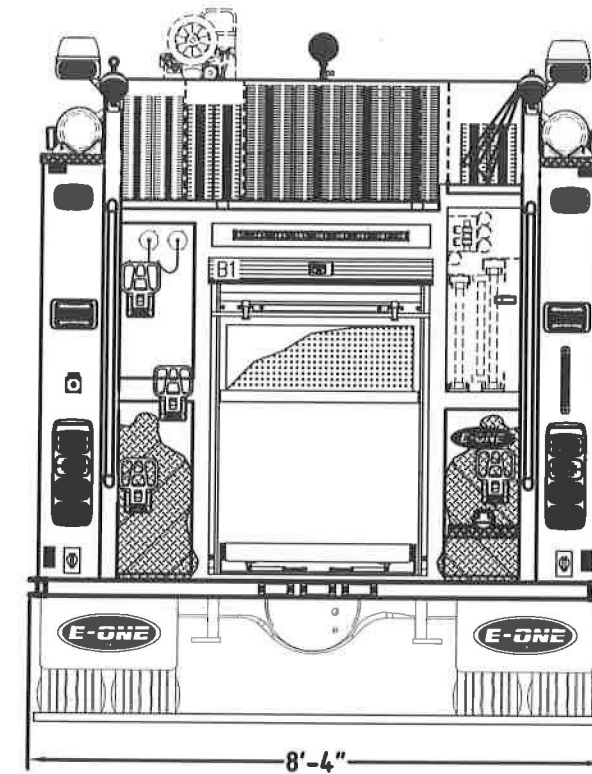
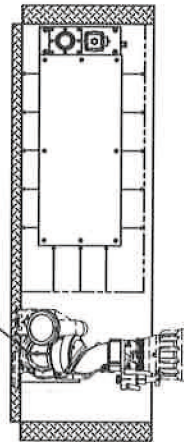
2000 GPM HALE QMAX-XS PUMP		HOSE LOAD:			
1000 GALLON WATER		500' OF 3.00" DJ			
30 GALLON CLASS "A" FOAM CELL		500' OF 2.50" DJ			
		1300' OF 5.00" LDH			
		500' OF 2.50" DJ			
COMPT.	OPENING	INTERIOR DIMENSION			
L1/R1	42W 68H	42W	38H	12D	UPPER
L2/R2	56W 34H	42W	30H	26D	LOWER
L3/R3	42W 68H	42W	38H	12D	UPPER
B1	36W 45H	42W	30H	26D	LOWER
		38W	15H	12D	UPPER
		38W	30H	26D	LOWER

THIS DRAWING IS FOR REFERENCE PURPOSES. ALL DIMENSIONS ARE SUBJECT TO MINOR VARIATIONS DUE TO MANUFACTURING PROCESSES.

APPROVED FOR PRODUCTION

DESIGNER: _____ DATE: _____

NOTE: DEALER / CUSTOMER SUPPLIED AND INSTALLED TFT MONSOON MONITOR



8'-4"

HOSEBED HEIGHT:
(FOR REFERENCE ONLY)
TO TAILBOARD: 66"
TO GROUND: 90"

NOTE: DEALER SUPPLIED AND INSTALLED WILBURT NS2.3-225WHL PROFILER LIGHT TOWER

NOTE: DEALER / CUSTOMER SUPPLIED AND INSTALLED TFT MONSOON MONITOR

