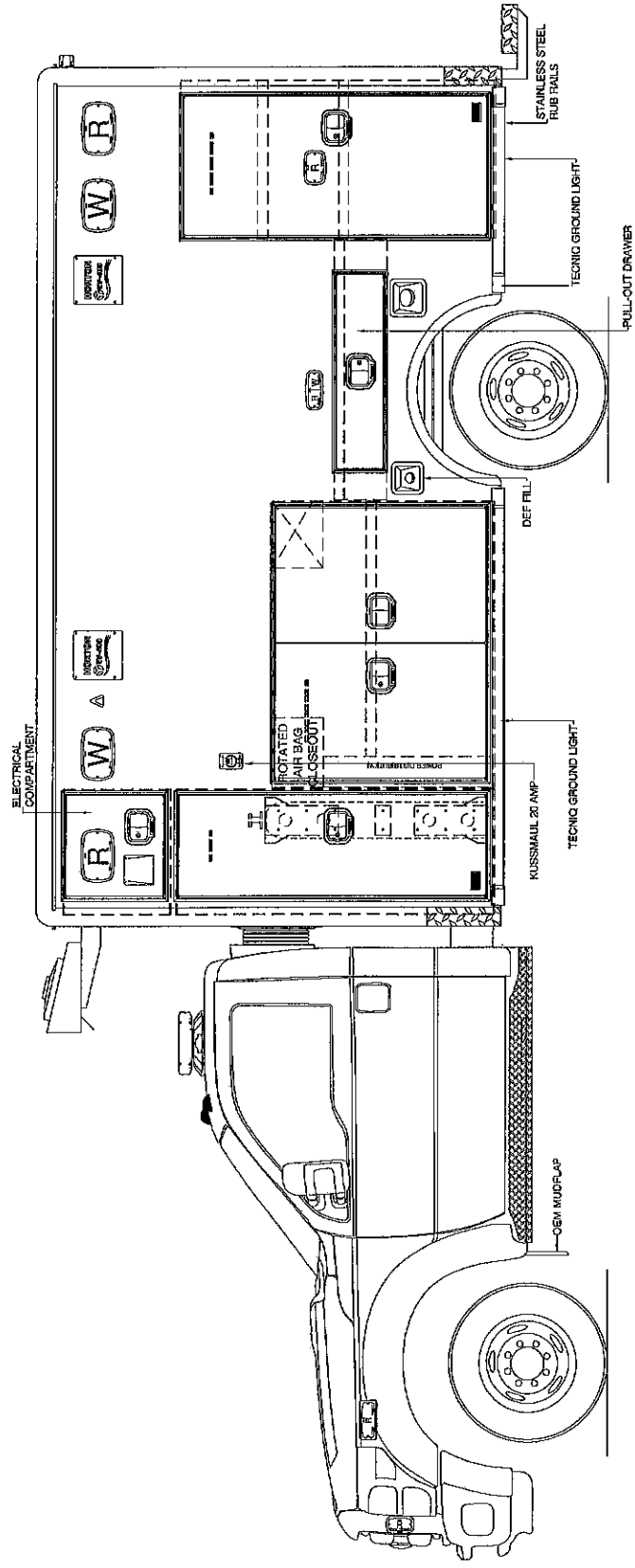


GREENWOOD STOCK UNIT



REV. 4/25/16

603 PASS THROUGH
FORD CHASSIS



COMP.	INSIDE WIDTH	INSIDE HEIGHT	INSIDE DEPTH	CLEAR OPENING WIDTH	CLEAR OPENING HEIGHT
SS FWD	24.25	52.13	20.36	18.74	59.16
SS INT	55.50	43.50	20.36	51.80	40.37
SS REAR	30.63	61.50	20.36	26.09	58.37

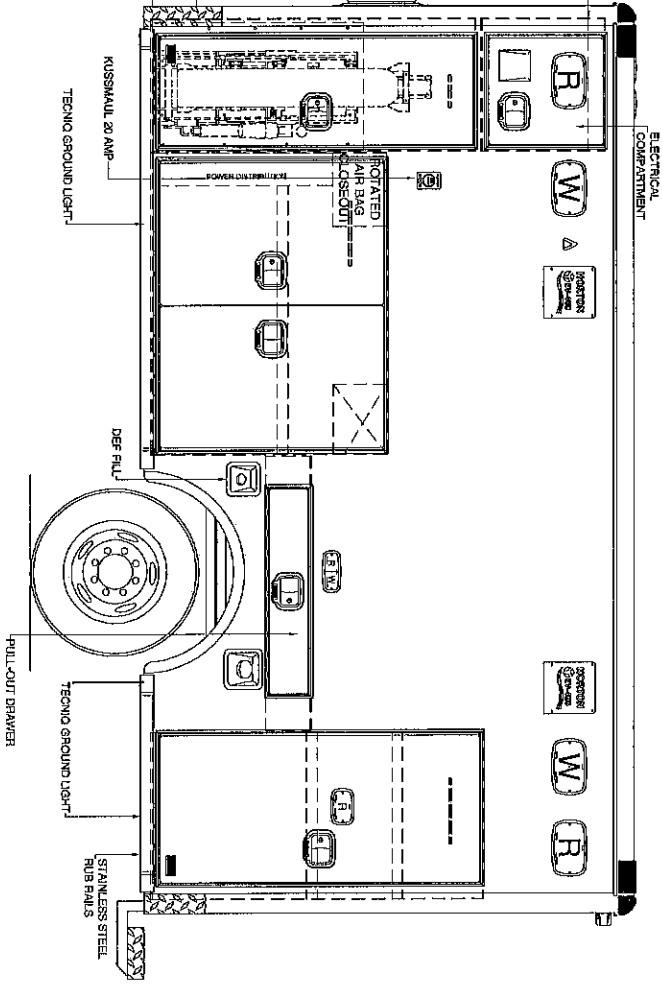
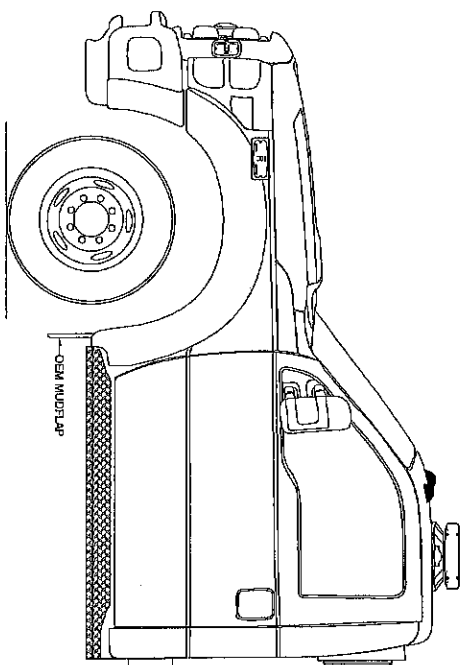
NOTE: DRAWINGS ARE FOR GRAPHICAL REPRESENTATION ONLY. DIMENSIONS ARE APPROXIMATE & MAY VARY DURING CONSTRUCTION.

SPECIFICATION DRAWING

GREENWOOD STOCK UNIT

603 PASS THROUGH
FORD CHASSIS

Horton
EMERGENCY VEHICLES
REV.
DRAWN BY: JAT
6/17/76



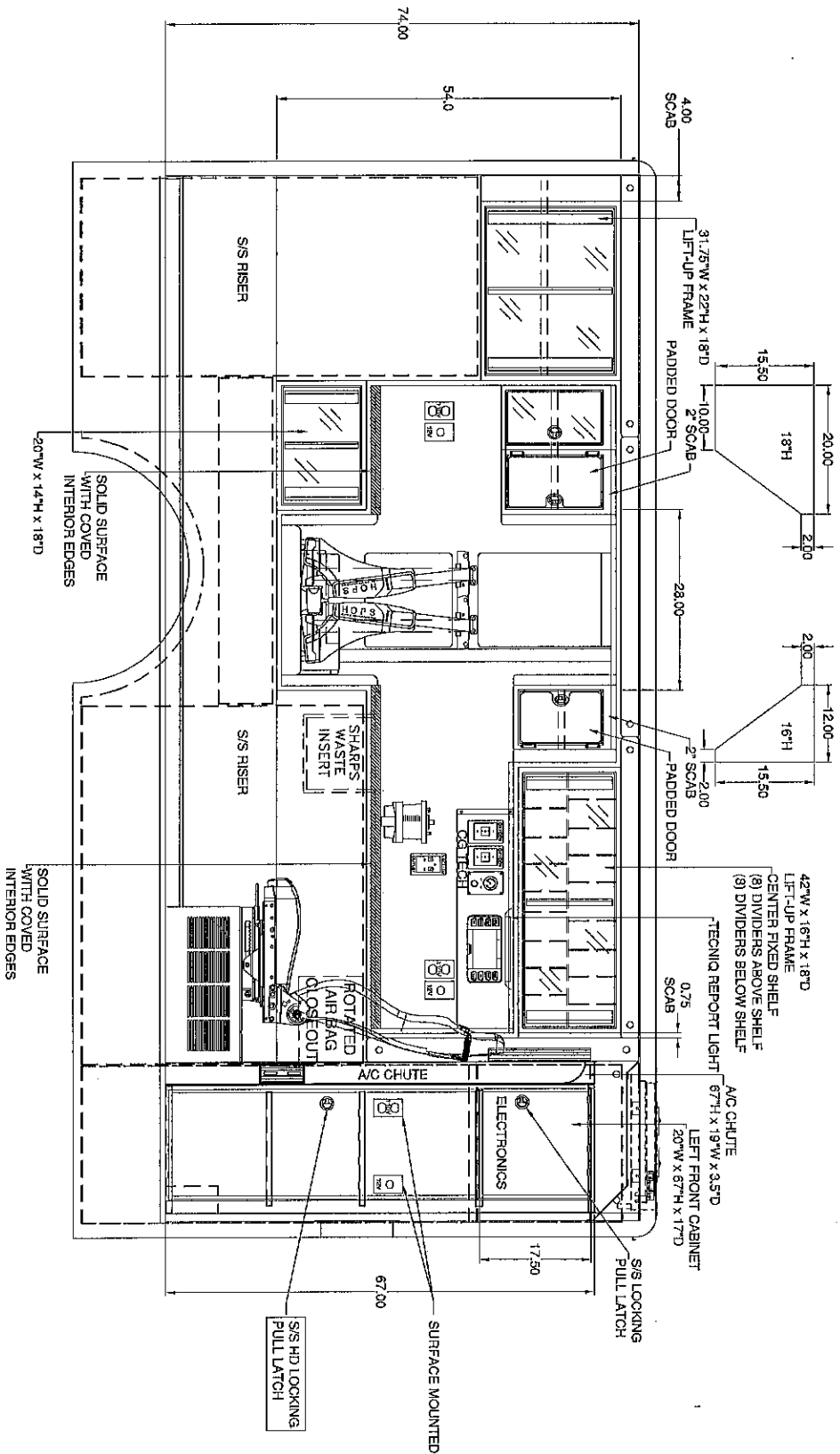
COMP.	INSIDE WIDTH	INSIDE HEIGHT	INSIDE DEPTH	CLEAR OPENING WIDTH	CLEAR OPENING HEIGHT
SS FWD	24.25	60.13	20.36	18.74	57.16
SS INT	55.50	43.50	20.36	51.80	40.37
SS REAR	30.63	61.50	20.36	26.09	58.37

NOTE: DRAWINGS ARE FOR GRAPHICAL REPRESENTATION ONLY DIMENSIONS ARE APPROXIMATE & MAY VARY DURING CONSTRUCTION

SPECIFICATION DRAWING

GREENWOOD STOCK UNIT

603 PASS THROUGH
FORD CHASSIS



NOTE: DRAWINGS ARE FOR GRAPHICAL REPRESENTATION ONLY. DIMENSIONS ARE APPROXIMATE & MAY VARY DURING CONSTRUCTION.

SPECIFICATION DRAWING