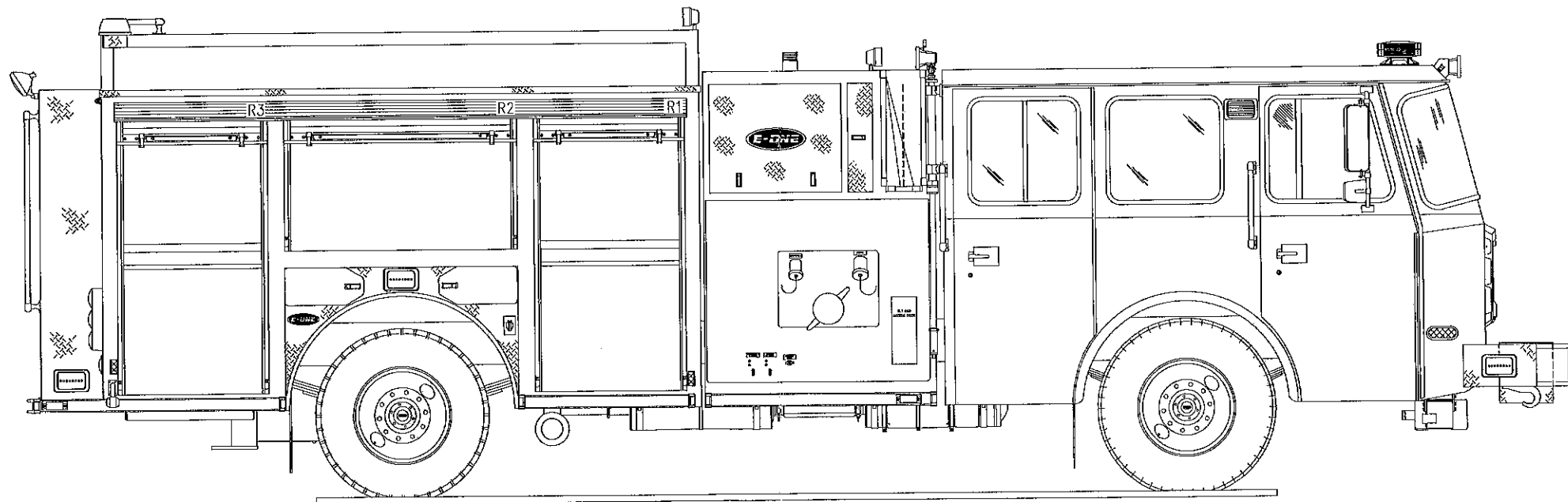
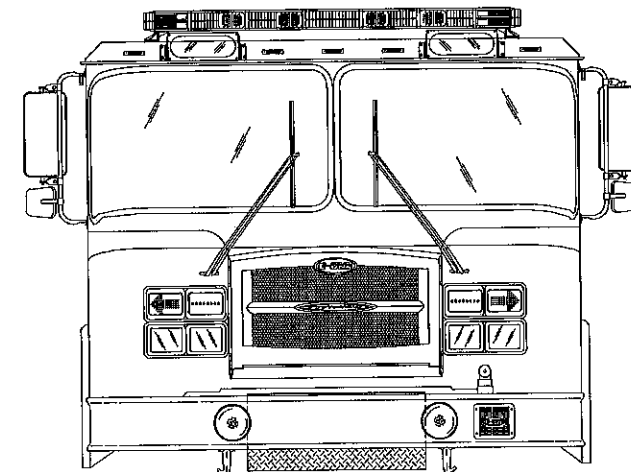
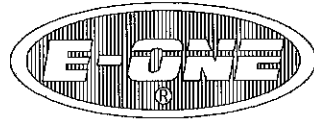


CUSTOM 36 RESCUE PUMPER TYPHOON X MEDIUM CAB 4X2 CHASSIS

THIS DRAWING IS FOR REFERENCE PURPOSES. ALL DIMENSIONS ARE
SUBJECT TO MINOR VARIATIONS DUE TO MANUFACTURING PROCESSES.

DEALER APPROVAL _____	DATE _____	<input type="checkbox"/> AS IS
CUSTOMER APPROVAL _____	DATE _____	<input type="checkbox"/> WITH REVISIONS





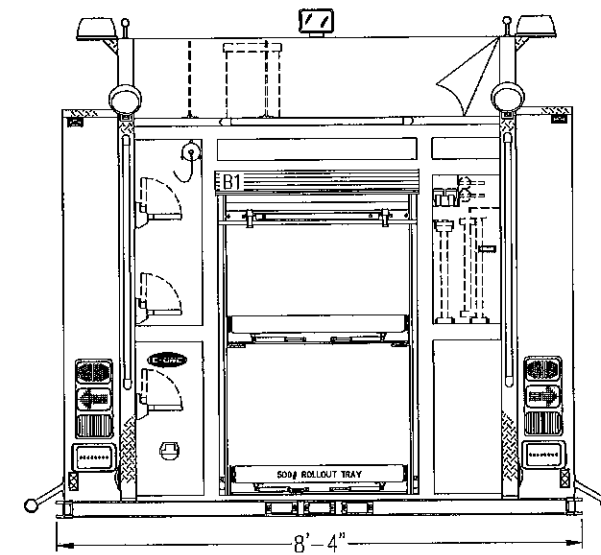
**CUSTOM 36 RESCUE PUMPER
TYPHOON X MEDIUM CAB 4X2 CHASSIS**

1500 GPM HALE QMAX PUMP		HOSE LOAD:	
740 GALLON WATER TANK		200' OF 2.50" DJ	
40 GALLON INTEGRAL "A" FOAM CELL		600' OF 2.50" DJ	
		1200' OF 4.00" LDH	
COMPT.	OPENING	INTERIOR DIMENSION	
L1/L3	34W 59H	36W 3H 12D UPPER	36W 56H 26D LOWER
L2	54W 25H	56W 3H 12D UPPER	56W 22H 26D LOWER
R1/R3	34W 59H	36W 25H 12D UPPER	36W 30H 26D LOWER
R2	54W 25H	56W 25H 12D	
B1	36W 51H	38W 52H 26D	

THIS DRAWING IS FOR REFERENCE PURPOSES. ALL DIMENSIONS ARE SUBJECT TO MINOR VARIATIONS DUE TO MANUFACTURING PROCESSES.

APPROVED FOR PRODUCTION

DESIGNER: _____ DATE: _____



HOSEBED HEIGHT:
(FOR REFERENCE ONLY)
TO TAILBOARD: 72"
TO GROUND: 96"

