



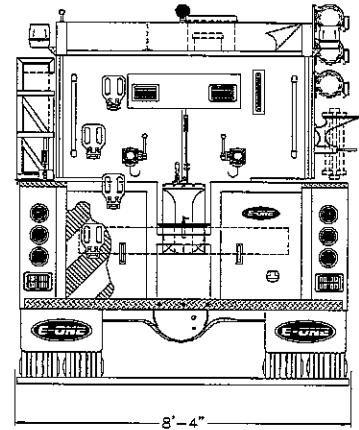
**WTSA COMM WETSID TANKER  
FREIGHTLINER M2-106 2-DR CAB 4X2 CHASSIS**

THIS DRAWING IS FOR REFERENCE PURPOSES. ALL DIMENSIONS ARE SUBJECT TO MINOR VARIATIONS DUE TO MANUFACTURING PROCESSES.

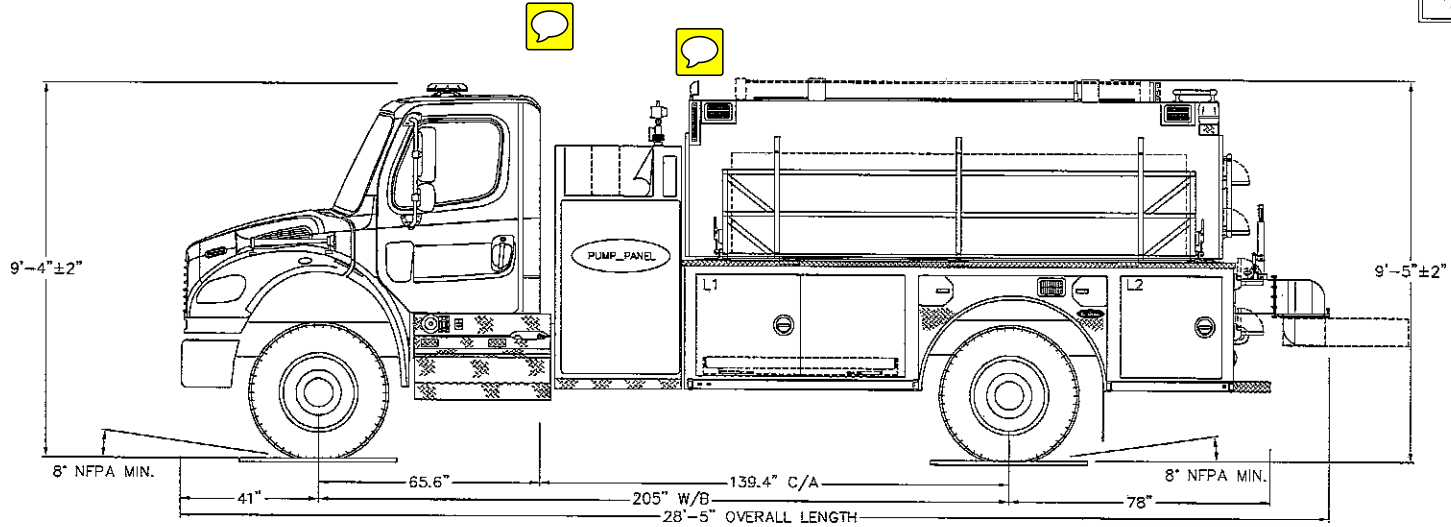
This print is the property of E-One, Inc. and is loaned to you subject to return on demand, unless otherwise agreed to in writing by E-One, Inc. Its contents are confidential and must not be copied or submitted to third parties for use or examination.

750 GPM HALE DSD PUMP		HOSE LOAD:	
2000 GALLON POLY III WATER TANK		NFPA (ULC) MIN.	
30 GALLON CLASS A FOAM CELL			
HALE 2.1A FOAMLODIX SYSTEM			
COMPT.	OPENING	INTERIOR DIMENSION	
L1/R1	62W 30H	62W	30H 26D
L2/R2	30W 30H	30W	30H 26D

**TOTAL TANK CAPACITY: 2000 GALLONS**  
**TOTAL WATER CAPACITY: 2000 GALLONS**  
**FOAM CELL "A" CAPACITY: 30 GALLONS**  
**FOAM CELL "B" CAPACITY: N/A**



**HOSEBED HEIGHT:**  
 (FOR REFERENCE ONLY)  
 TO TAILBOARD: 74"  
 TO GROUND: 99"

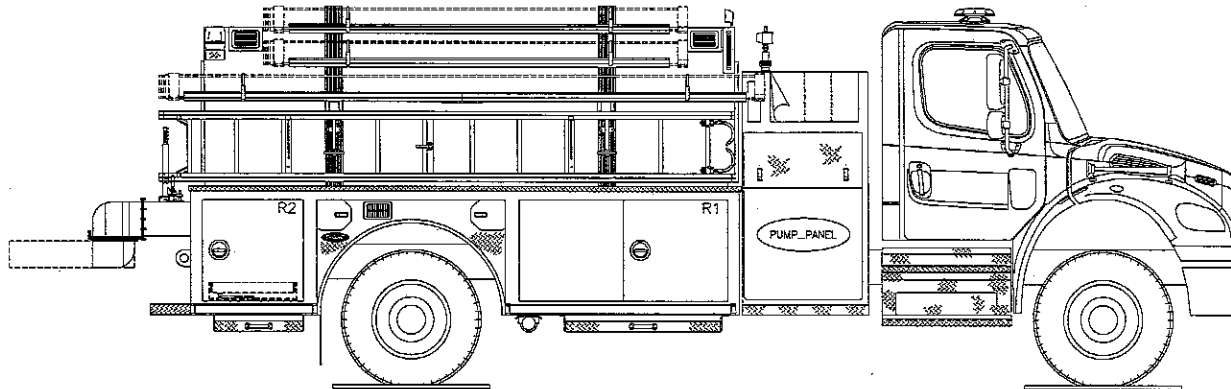
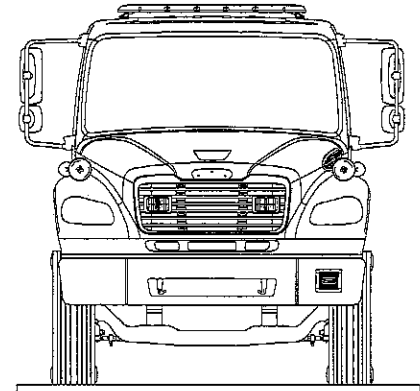




WTSA COMM WETSIDE TANKER  
FREIGHTLINER M2-106 2-DR CAB 4X2 CHASSIS

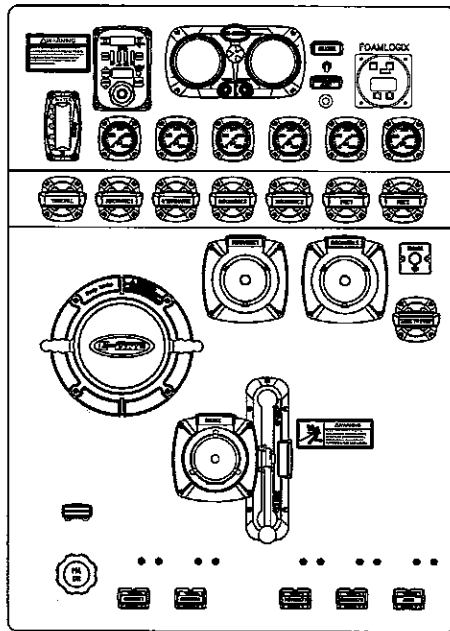
THIS DRAWING IS FOR REFERENCE PURPOSES. ALL DIMENSIONS ARE  
SUBJECT TO MINOR VARIATIONS DUE TO MANUFACTURING PROCESSES.

This print is the property of E-ONE, Inc. and is loaned to you  
subject to return on demand, unless otherwise agreed to in writing by  
E-ONE, Inc. Its contents are confidential and must not be  
copied or submitted to third parties for use or examination.

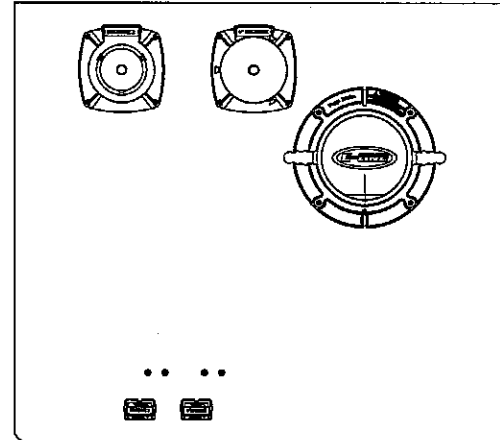
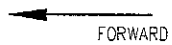




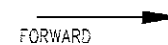
DEALER APPROVAL _____	DATE _____	CIAS IS
CUSTOMER APPROVAL _____	DATE _____	DMTH REVISIONS

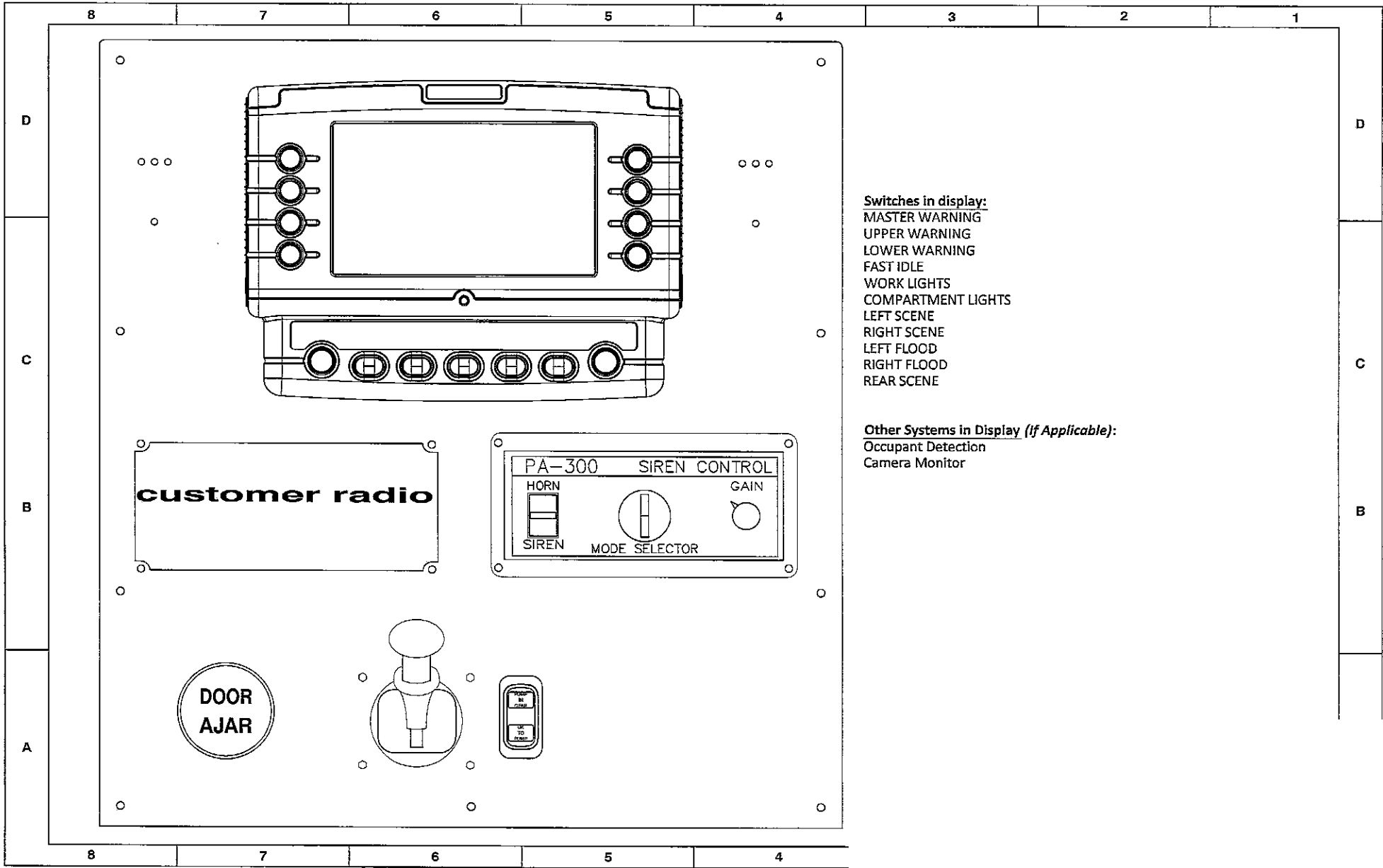


LEFT PANEL



RIGHT PANEL





- Switches in display:**
- MASTER WARNING
  - UPPER WARNING
  - LOWER WARNING
  - FAST IDLE
  - WORK LIGHTS
  - COMPARTMENT LIGHTS
  - LEFT SCENE
  - RIGHT SCENE
  - LEFT FLOOD
  - RIGHT FLOOD
  - REAR SCENE

**Other Systems in Display (if Applicable):**

- Occupant Detection
- Camera Monitor