

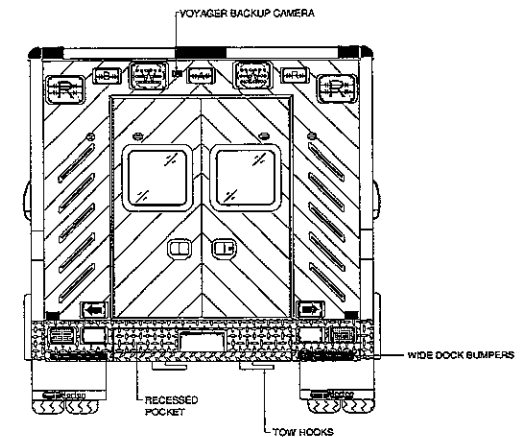
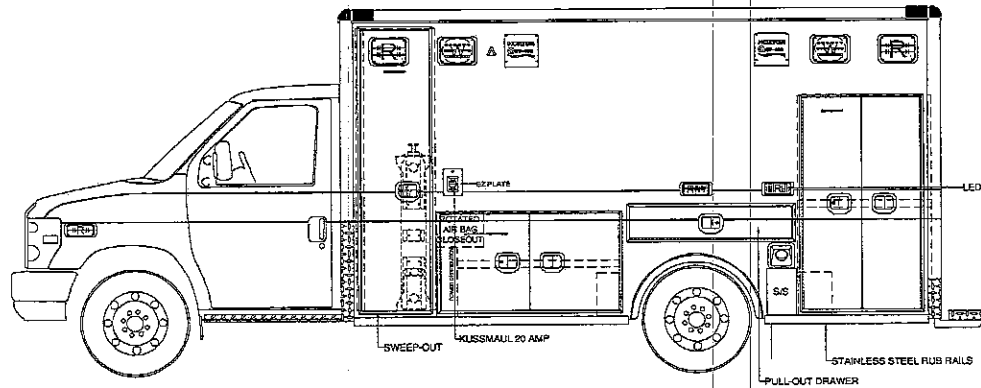
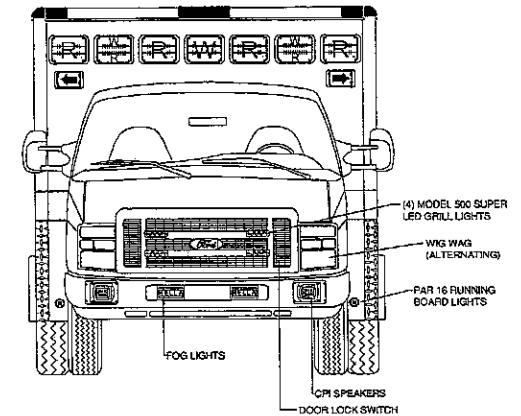
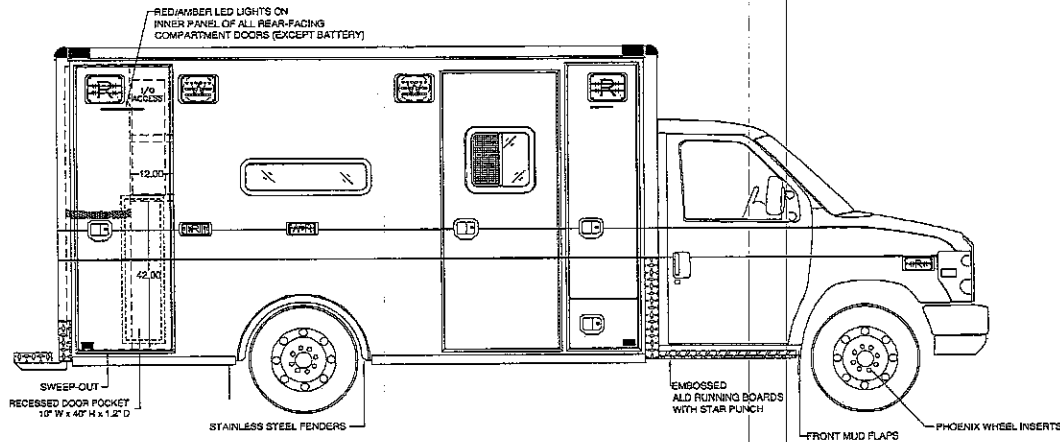
GREENWOOD DEMO

17374

REVISIONS		
REV	DESCRIPTION	DATE
	553A EXTERIOR	12/28/13
DRAWN BY: CMH		

COMPT	INSIDE WIDTH	INSIDE HEIGHT	INSIDE DEPTH	CLEAR OPENING WIDTH	CLEAR OPENING HEIGHT
CS REAR	50.00	60.13	20.36	25.09	79.16
CS INT	15.92	28.05	20.36	13.05	25.18
CS ROW	78.15	8.25	20.36	44.61	6.36
CS FWD	20.00	85.00	90.25	18.12	79.16

553A EXTERIOR E-SERIES CHASSIS



COMP.	INSIDE WIDTH	INSIDE HEIGHT	INSIDE DEPTH	CLEAR OPENING WIDTH	CLEAR OPENING HEIGHT
SS FWD	22.05	80.13	20.36	18.25	78.16
SS INT	51.57	28.50	20.36	43.28	25.37
SS LOW	49.77	8.25	20.36	44.61	6.36
SS REAR	37.43	82.12	20.36	32.08	59.16

NOTE: DRAWINGS ARE FOR GRAPHICAL REPRESENTATION ONLY
DIMENSIONS ARE APPROXIMATE & MAY VARY DURING CONSTRUCTION

SPECIFICATION DRAWING