

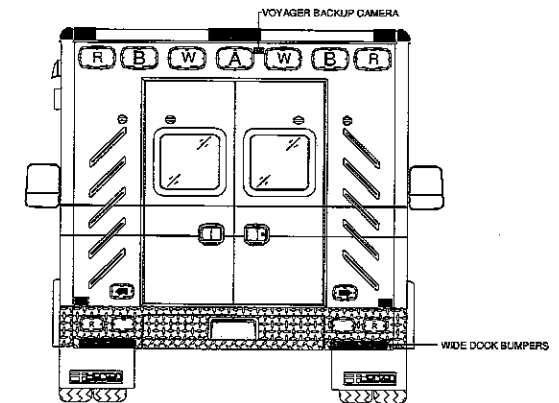
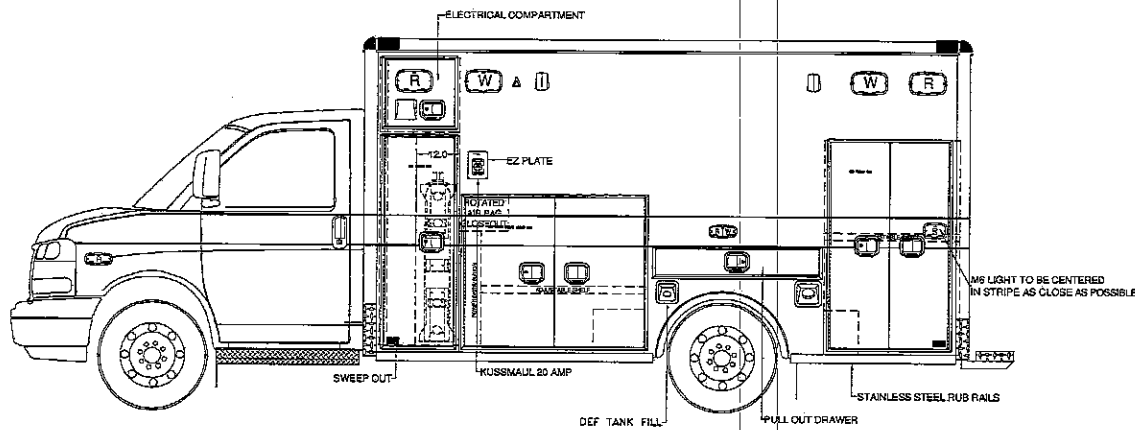
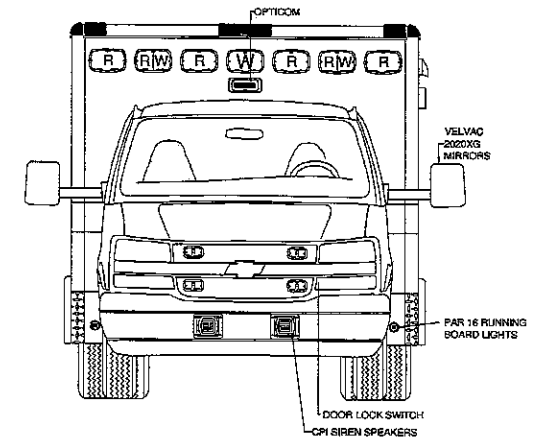
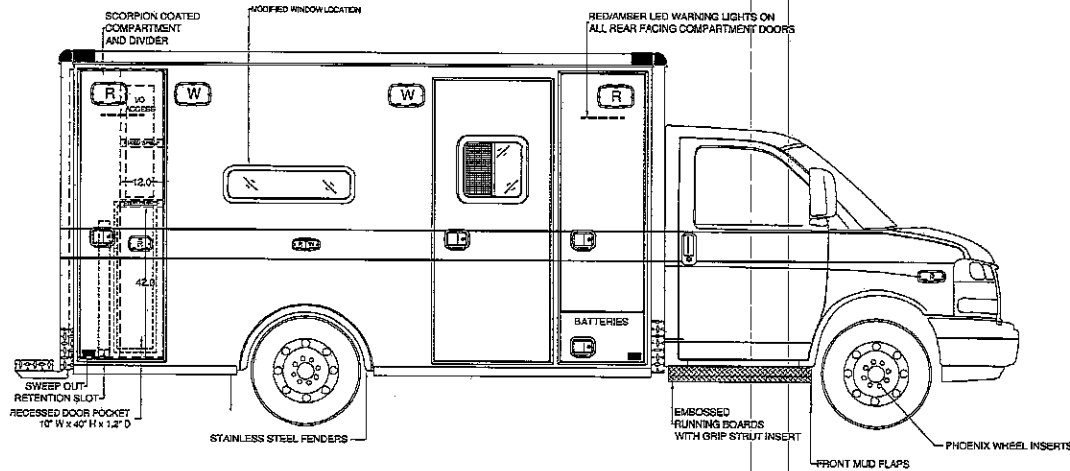
GREENWOOD DEMO

17561

CONS		
REV	DESCRIPTION	DATE
	553B EXTERIOR	5-26-16
DRAWN BY: JAT		

COMP	INSIDE WIDTH	INSIDE HEIGHT	INSIDE DEPTH	CLEAR OPENING WIDTH	CLEAR OPENING HEIGHT
CS REAR	26.29	80.13	20.36	22.13	79.16
CS FWD			22.19		78.16

553B EXTERIOR G4500 CHASSIS



COMP.	INSIDE WIDTH	INSIDE HEIGHT	INSIDE DEPTH	CLEAR OPENING WIDTH	CLEAR OPENING HEIGHT
SS FWD	22.05	56.13	20.36	18.25	57.16
SS INT	51.57	43.50	20.36	49.22	40.37
SS REAR	37.43	59.50	20.36	32.09	56.37

NOTE: DRAWINGS ARE FOR GRAPHICAL REPRESENTATION ONLY
DIMENSIONS ARE APPROXIMATE & MAY VARY DURING CONSTRUCTION

SPECIFICATION DRAWING