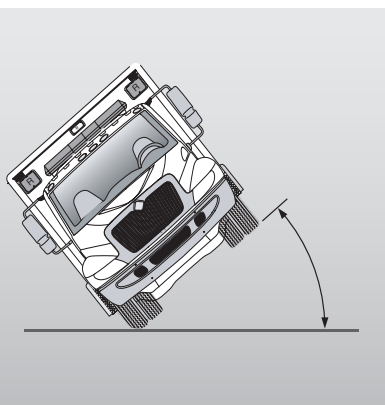


HOPS™

HORTON OCCUPANT PROTECTION SYSTEM™
WHEN AND WHERE YOU NEED IT.

When lives hang in the balance, Horton's exclusive HOPS system holds them in place.

KEY ADVANTAGES



Emergency crews deserve the best protection when they're performing the vital work of saving lives. That's why our exclusive Horton Occupant Protection System, or HOPS, is standard on every ambulance we build. HOPS is a fully tested system that combines advanced restraints, multi-density head protection, tubular airbags and head curtain airbags to provide a level of advanced protection for first responders in a rollover event. We've expertly engineered protection in every direction to help keep your crews safe.

■ AIRBAG PROTECTION WHERE IT COUNTS

HOPS is designed with two types of airbags—inflatable head curtain and tubular structure—that are made with progressive foam at head-strike points to absorb energy upon impact. The inflatable head curtain protects the attendant from the inhalation area cabinet. Used with the attendant and CPR seats, the tubular structure airbag provides additional head protection.

■ SECURITY AND ACCESS WITH 4-POINT SEAT BELTS

Horton's Per4Max™ detachable 4-point seat belt harness system provides an additional level of protection with automatic retractors at both shoulders and hips. Its innovative design allows responders to move forward and access patients without removing the seat belt.

■ ONE-CLICK BUCKLE ADDS CONVENIENCE

An easy-release, one-click buckle on the Per4Max 4-point seat belts means responders can quickly remove their belts when time is of the essence.



TWO TYPES OF AIRBAGS DEPLOYED



4-POINT SEAT BELTS PROTECT, WHILE ALLOWING ACCESS TO PATIENT



SEAT BELTS HAVE EASY-TO-USE ONE-CLICK BUCKLE

THE HORTON DIFFERENCE

All Horton ambulances come standard with all the features you know and trust for strength and safety.



STRENGTH AND SAFETY



Horton Occupant Protection System™ (HOPS™)
Engineered occupant protection from every direction.



The Horton Legendary Body™
Engineered and constructed to deliver the ultimate in strength and safety.



Tested Beyond the Limits
Designed and built to exceed industry testing standards.



Horton QuietGuard™
Exclusive sound deadening so crews can perform at their best.



Horton Vi-Tech™ Mounting System
Superior strength, ensuring body-to-frame integrity.



HO₂rtion System™
Designed and tested to function virtually failure free.

DISTINCTION IN EVERY DETAIL

Horton Advanced Customization
You're the expert on your department's needs, and we're the experts at getting it done.

Horton Design Culture
You're investing in your future. We're driven to do more for you than most think possible.

Horton Distinctive Style
Safety, functionality and style aren't mutually exclusive, so you can make your Horton look as good as it performs.

ADDITIONAL FEATURES

COOL-TECH®
i4G™
HORTON 360™

DIRECTIONAL SAFETY LIGHTING
CUSTOM RUB-RAIL LIGHTS
CUSTOM BACKLIT FEATURES

CUSTOM GRAPHICS
CUSTOM INTERIOR

COMPREHENSIVE SUPPORT



530 JOHN L. DIETSCH BOULEVARD
NORTH ATTLEBORO, MA 02763

508.695.7138 | GreenwoodEV.com



Horton
STRENGTH & SAFETY IN EVERY DETAIL™