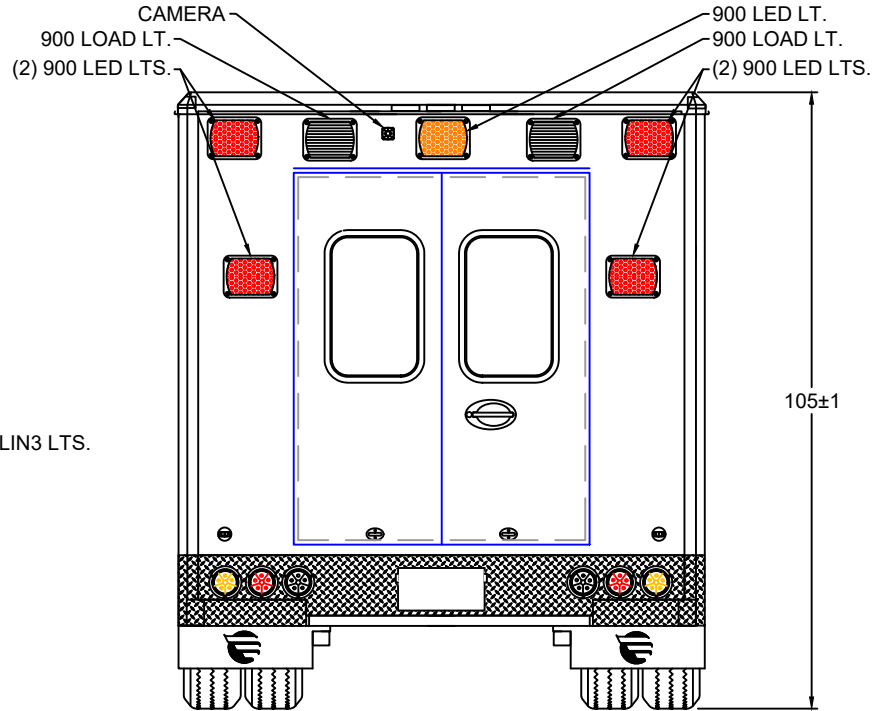
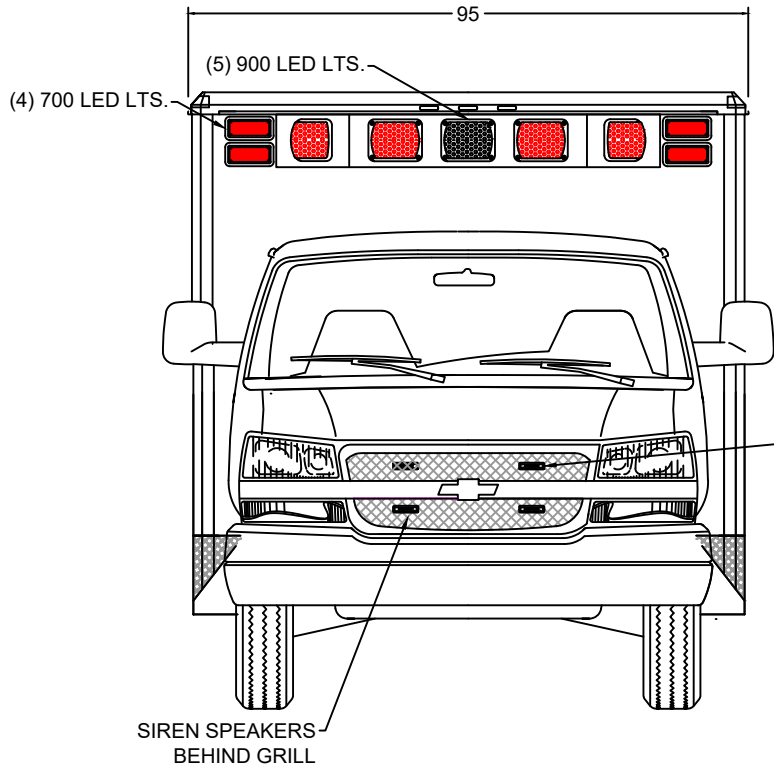


CA166805

GREENWOOD EV

148 x 90 x 72



EXTERIOR COMPARTMENT DIMENSIONS IN INCHES

INTERIOR DIMENSIONS				PASS THRU		INTERIOR DIMENSIONS				JAMB OPENING	
COMPT.	HEIGHT	WIDTH	DEPTH	HEIGHT	WIDTH	COMPT.	HEIGHT	WIDTH	DEPTH	HEIGHT	WIDTH



TYPE 3 CHEVY 2021  
FRONT / REAR  
EXTERIOR VIEWS

BE ADVISED THAT THESE ARE PRELIMINARY LAYOUTS INTENDED TO ILLUSTRATE DESIGN INTENT AND DIMENSIONS ARE FOR REFERENCE ONLY PRIOR TO FINAL ENGINEERING

DATE: 3/16/2022

SCALE

OWN BY: NP

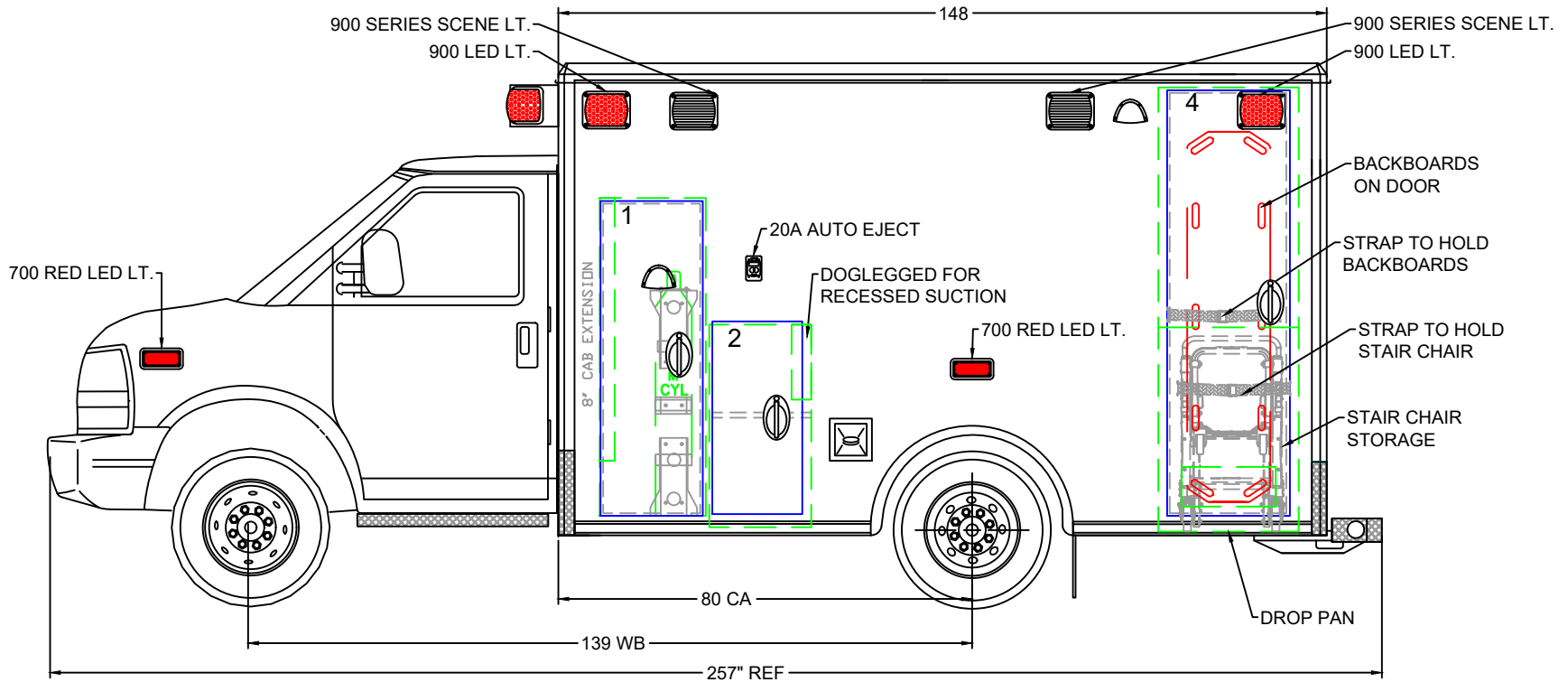
DWG NO: 1 / 9

49" AISLE

CA166805

GREENWOOD EV

148 x 90 x 72



BE ADVISED THAT THESE ARE PRELIMINARY LAYOUTS INTENDED TO ILLUSTRATE DESIGN INTENT AND DIMENSIONS ARE FOR REFERENCE ONLY PRIOR TO FINAL ENGINEERING

EXTERIOR COMPARTMENT DIMENSIONS IN INCHES											
INTERIOR DIMENSIONS				JAMB OPENING		INTERIOR DIMENSIONS				JAMB OPENING	
COMPT.	HEIGHT	WIDTH	DEPTH	HEIGHT	WIDTH	COMPT.	HEIGHT	WIDTH	DEPTH	HEIGHT	WIDTH
4	85.50	27.00	8.00/15.00	81.75	23.50						
2	38.75	19.00	15.00	35.75	18.25						
1	61.00	19.00	15.00	60.50	18.25						



TYPE 3 CHEVY 2021

LEFT EXT. VIEW

DATE 3/16/2022

SCALE

DRAWN BY NP

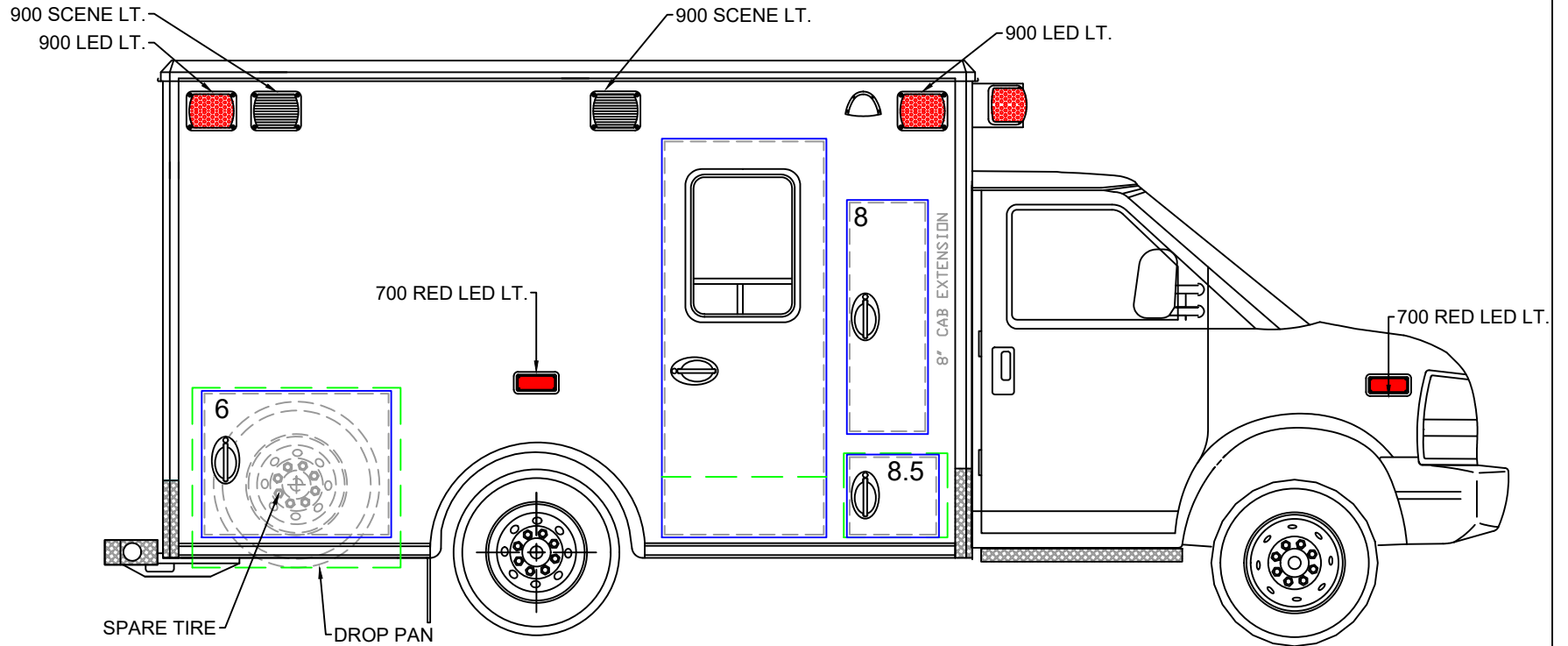
DWG NO 2 / 9

49" AISLE

CA166805

GREENWOOD EV

148 x 90 x 72



BE ADVISED THAT THESE ARE PRELIMINARY LAYOUTS INTENDED TO ILLUSTRATE DESIGN INTENT AND DIMENSIONS ARE FOR REFERENCE ONLY PRIOR TO FINAL ENGINEERING

EXTERIOR COMPARTMENT DIMENSIONS IN INCHES

INTERIOR DIMENSIONS				JAMB OPENING		INTERIOR DIMENSIONS				JAMB OPENING	
COMPT.	HEIGHT	WIDTH	DEPTH	HEIGHT	WIDTH	COMPT.	HEIGHT	WIDTH	DEPTH	HEIGHT	WIDTH
8				42.75	14.75						
6	32.75	38.00	15.50	26.75	34.50						
8.5	15.50	19.00	18.50	15.00	16.75						



TYPE 3 CHEVY 2021  
RIGHT EXT. VIEW

DATE 3/16/2022

SCALE

DRAWN BY NP

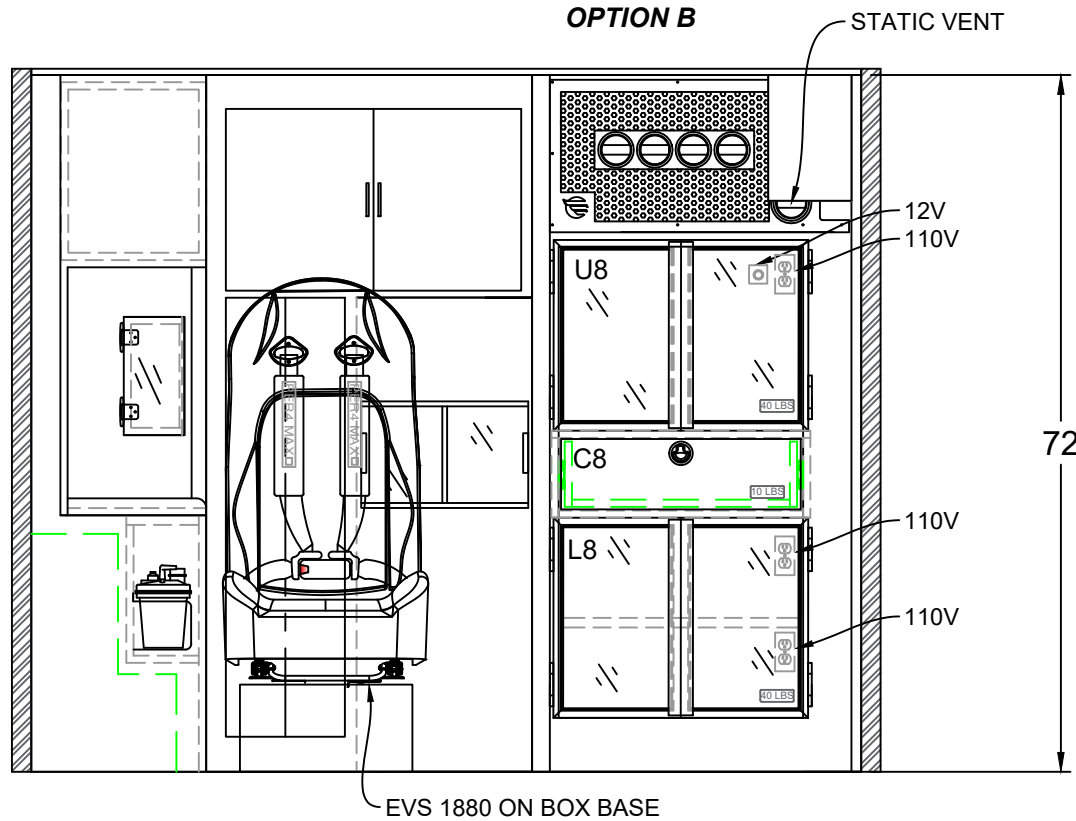
DWG NO 3 / 9

49" AISLE


CA166805

GREENWOOD EV

148 x 90 x 72



BE ADVISED THAT THESE ARE PRELIMINARY LAYOUTS INTENDED TO ILLUSTRATE DESIGN INTENT AND DIMENSIONS ARE FOR REFERENCE ONLY PRIOR TO FINAL ENGINEERING

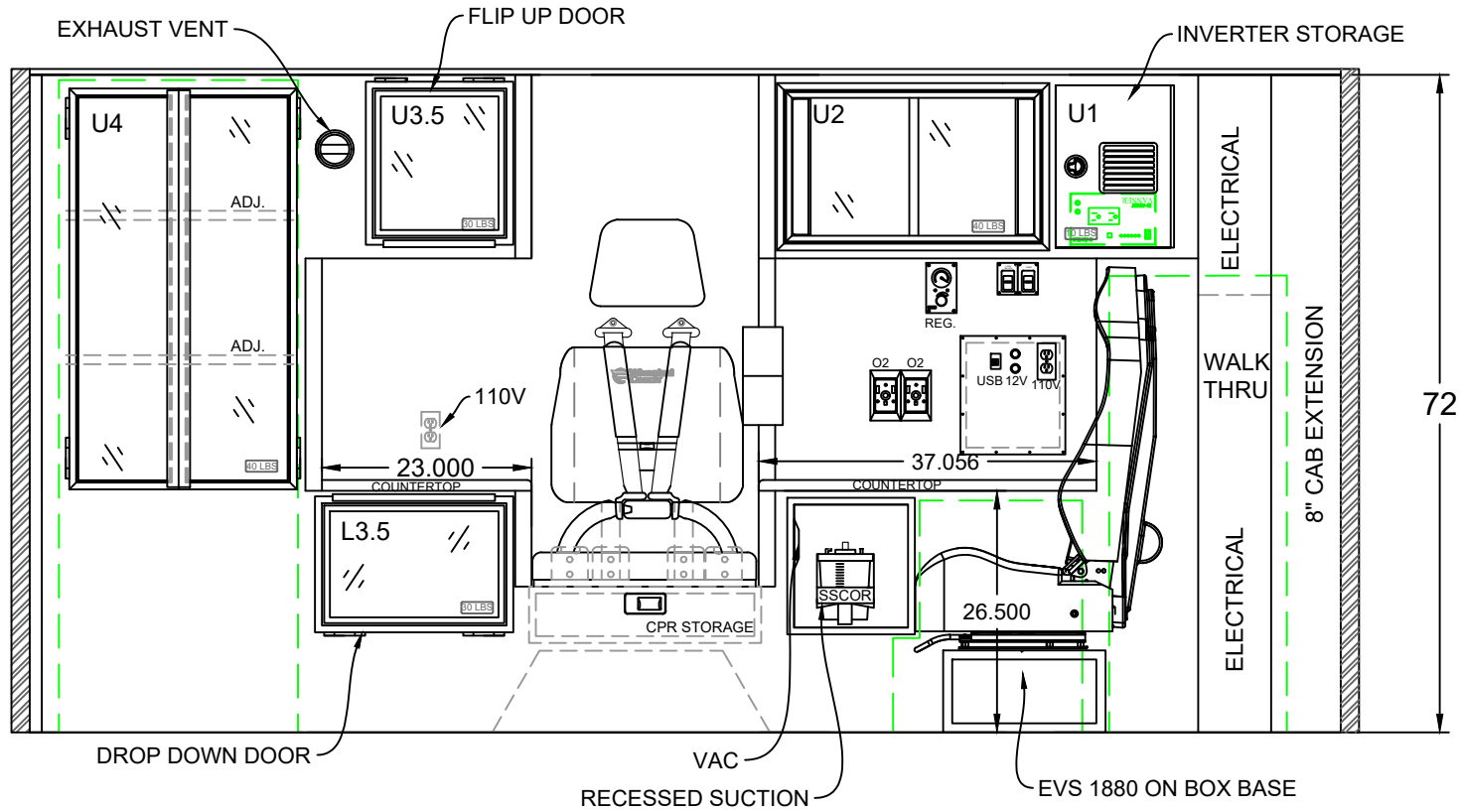
INTERIOR CABINET DIMENSIONS IN INCHES									
CABINET	HEIGHT	WIDTH	DEPTH	CABINET	HEIGHT	WIDTH	DEPTH		
U8	19.00	31.50	14.75					TYPE 3 CHEVY 2021 BULKHEAD INTERIOR	
C8	6.00	22.50	13.25						
L8	20.50	31.50	14.75						
								DATE 3/16/2022	SCALE
								DRAWN BY NP	DWG NO 4 / 9

49" AISLE

CA166805

GREENWOOD EV

148 x 90 x 72



INTERIOR CABINET DIMENSIONS IN INCHES

CABINET	HEIGHT	WIDTH	DEPTH	CABINET	HEIGHT	WIDTH	DEPTH
U4	44.00	24.75	7.00				
U3.5	16.75	14.50	16.00	CPR	5.25	23.50	16.00
U2	16.75	28.25	13.75				
U1	17.50	13.00	13.75				
L3.5	14.00	20.25	16.00				



TYPE 3 CHEVY 2021

LEFT INTERIOR

DATE: 3/16/2022 SCALE

DWN BY: NP DWG NO: 5 / 9

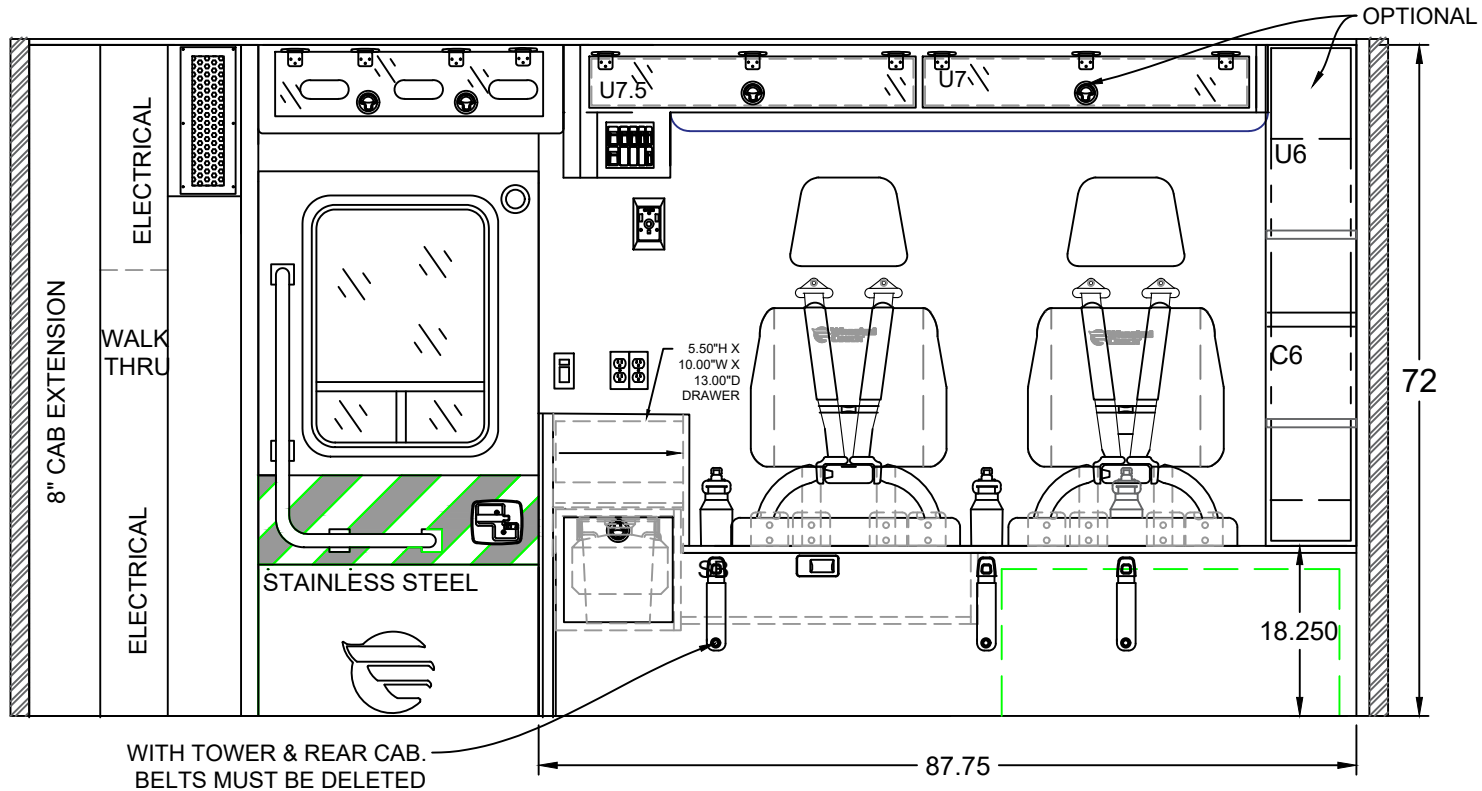
49" AISLE

BE ADVISED THAT THESE ARE PRELIMINARY LAYOUTS INTENDED TO ILLUSTRATE DESIGN INTENT AND DIMENSIONS ARE FOR REFERENCE ONLY PRIOR TO FINAL ENGINEERING

CA166805

GREENWOOD EV

148 x 90 x 72



WITH TOWER & REAR CAB.  
BELTS MUST BE DELETED

INTERIOR CABINET DIMENSIONS IN INCHES



TYPE 3 CHEVY 2021  
RIGHT INTERIOR

COMPT.	HEIGHT	WIDTH	DEPTH		COMPT.	HEIGHT	WIDTH	DEPTH	
SB	6.75	31.00	16.00						
U7.5/U7	5.00	34.50	7.00						

DATE: 3/16/2022 SCALE

DWN BY: NP DWG NO: 6 / 9

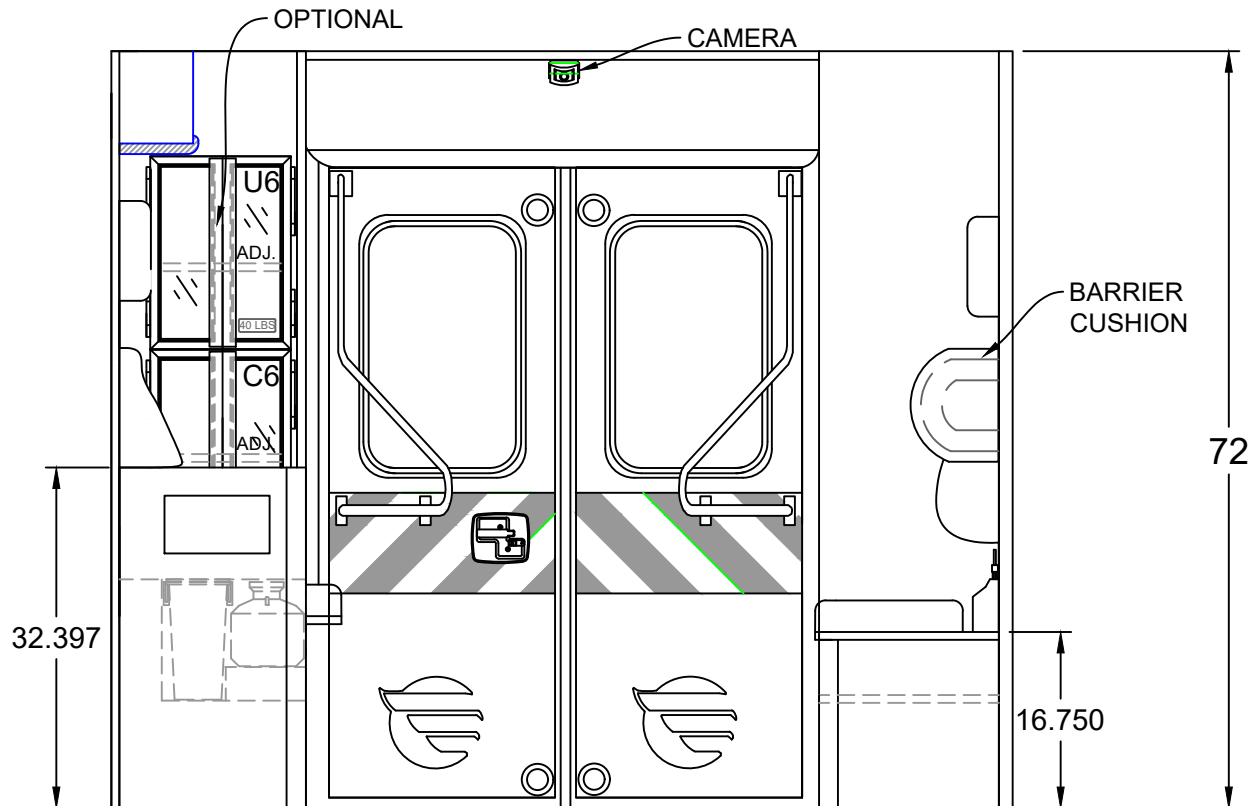
49" AISLE

BE ADVISED THAT THESE ARE PRELIMINARY LAYOUTS INTENDED TO ILLUSTRATE DESIGN INTENT AND DIMENSIONS ARE FOR REFERENCE ONLY PRIOR TO FINAL ENGINEERING

CA166805

GREENWOOD EV

148 x 90 x 72



INTERIOR CABINET DIMENSIONS IN INCHES



TYPE 3 CHEVY 2021

REAR BULKHEAD INTERIOR

DATE: 3/16/2022

SCALE

DWG BY

NP

DWG NO

7 / 9

COMPT.	HEIGHT	WIDTH	DEPTH		COMPT.	HEIGHT	WIDTH	DEPTH	
U6/C6	18.75	13.25	8.50						

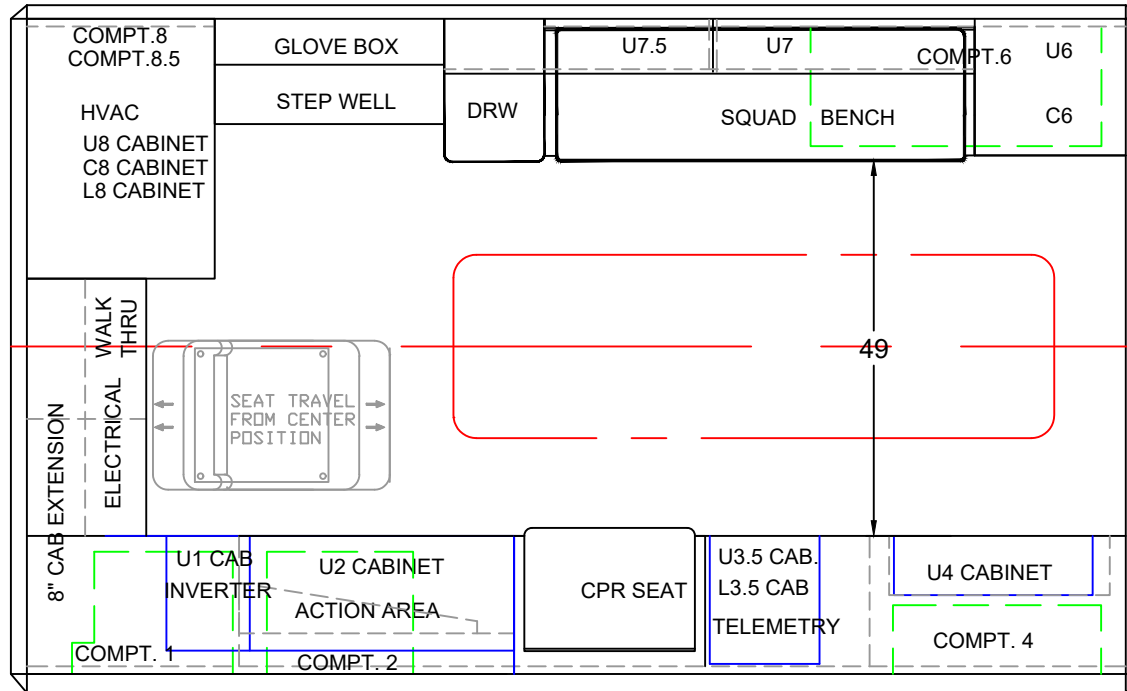
49" AISLE

BE ADVISED THAT THESE ARE PRELIMINARY LAYOUTS INTENDED TO ILLUSTRATE DESIGN INTENT AND DIMENSIONS ARE FOR REFERENCE ONLY PRIOR TO FINAL ENGINEERING


CA166805

GREENWOOD EV

148 x 90 x 72



BE ADVISED THAT THESE ARE PRELIMINARY LAYOUTS INTENDED TO ILLUSTRATE DESIGN INTENT AND DIMENSIONS ARE FOR REFERENCE ONLY PRIOR TO FINAL ENGINEERING

INTERIOR CABINET DIMENSIONS IN INCHES								
CABINET	HEIGHT	WIDTH	DEPTH	CABINET	HEIGHT	WIDTH	DEPTH	
								TYPE 3 CHEVY 2021 FLOOR PLAN DATE: 3/16/2022 SCALE DWN BY NP DWG NO 8 / 9

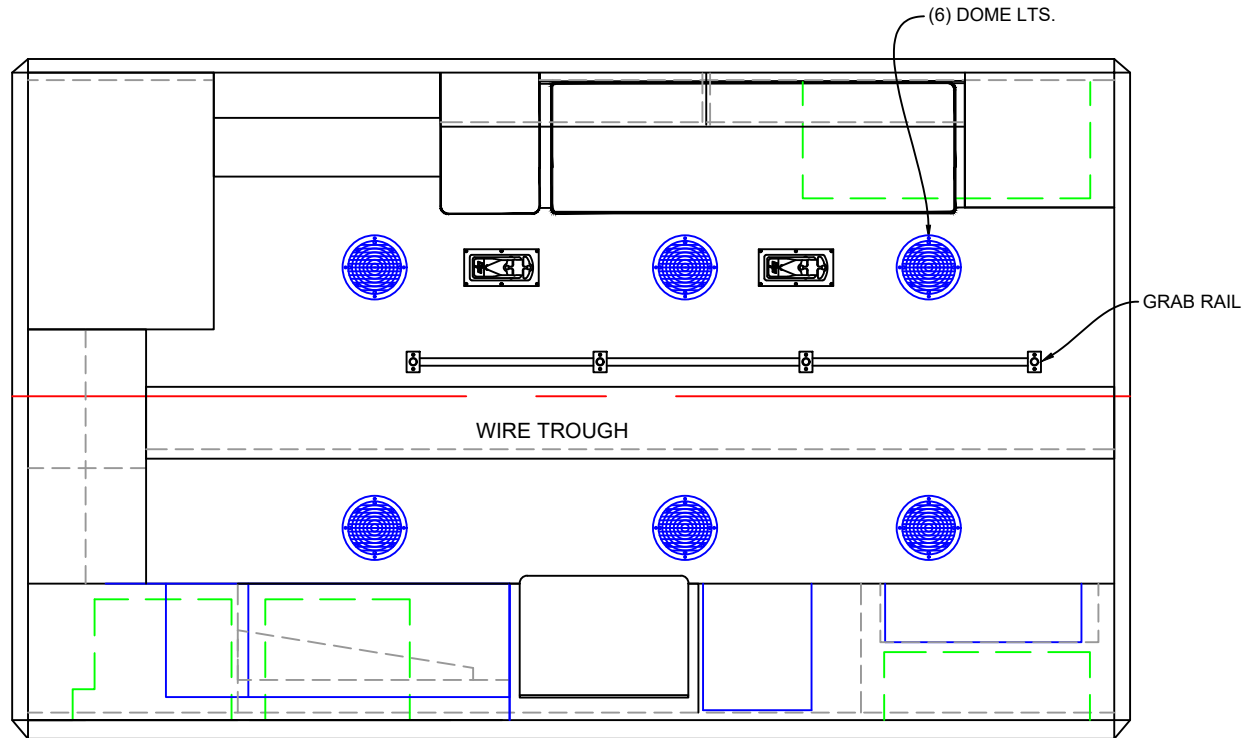
49" AISLE



CA166805

GREENWOOD EV

148 x 90 x 72



BE ADVISED THAT THESE ARE PRELIMINARY LAYOUTS INTENDED TO ILLUSTRATE DESIGN INTENT AND DIMENSIONS ARE FOR REFERENCE ONLY PRIOR TO FINAL ENGINEERING

INTERIOR CABINET DIMENSIONS IN INCHES

CABINET	HEIGHT	WIDTH	DEPTH	CABINET	HEIGHT	WIDTH	DEPTH



TYPE 3 CHEVY 2021

LINER

DATE: 3/16/2022

SCALE

DWN BY: NP

DWG NO: 9 / 9

49" AISLE