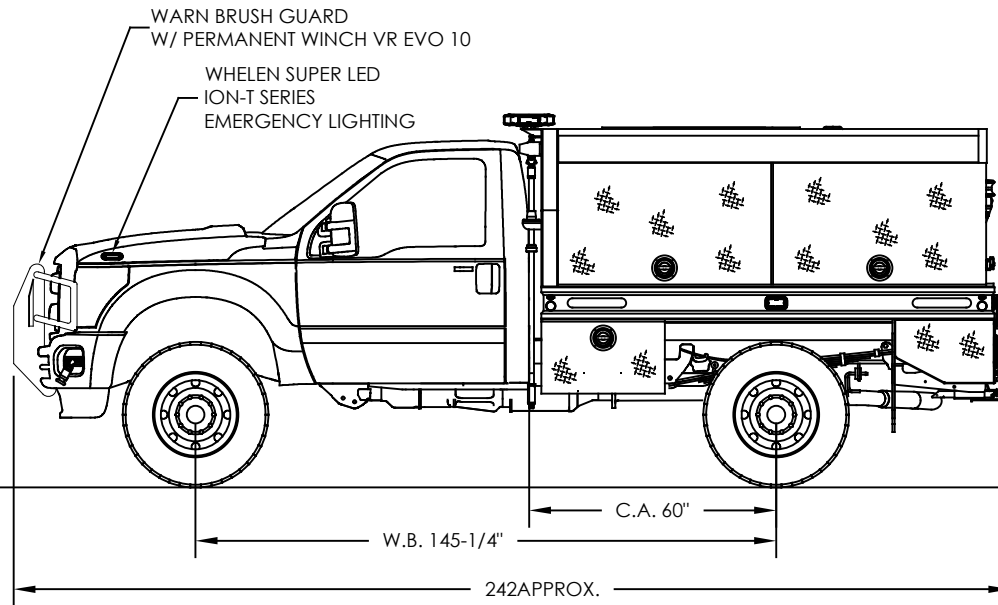
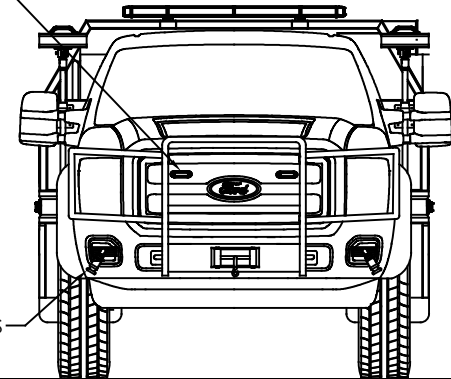
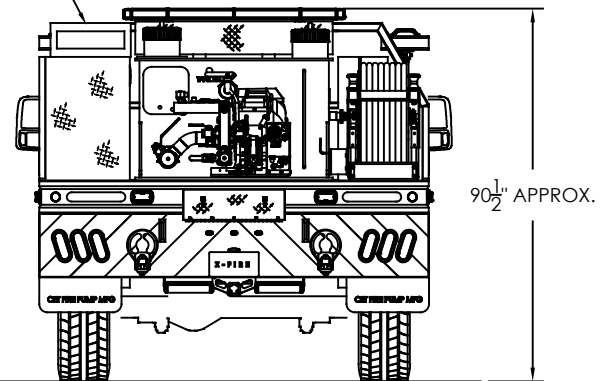
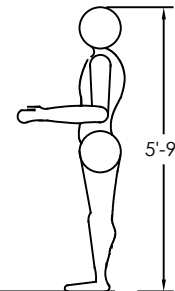



(2) WHELEN SUPER LED ION-T SERIES EMERGENCY LIGHTING



FLATBED UNIT SEE DRAWING: FA-1986-0701C



	CREATED BY: M.V. DATE: 2023-04-24	TITLE : C.E.T. BRUSH TRUCK - YARMOUTH, MA W/ FORD F350, REGULAR CHASSIS CAB, 4x4		WARNING THIS DOCUMENT REMAINS THE PROPERTY OF C.E.T. FIRE PUMPS MFG. ALL REPRODUCTION WITHOUT WRITTEN AGREEMENT FROM C.E.T. FIRE PUMPS MFG IS TOTALLY PROHIBITED.
	VERIFIED BY: A.B. DATE: 2023-04-24	No: FA-1986D	PRODUCTION #: N/A	